

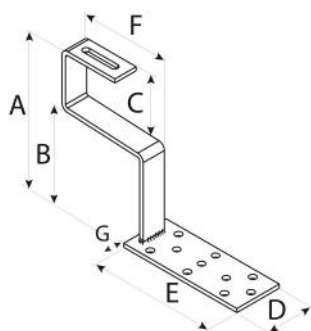
DATASHEET

rev. 00 - 00-00-0000

HSCL 185/105-65

support for fixing on tiled roofs

11110713Z - 11110713ZBOX



DIMENSIONS

CODE	A [mm]	B [mm]	C [mm]	D [mm]	E [mm]	F [mm]	G [mm]
11110713Z	185	105	65	60	160	110	30
11110713ZBOX X	185	105	65	60	160	110	30

ITEMS

CODE	DESCRIPTION
11110713Z	SUPPORT FOR FIXING ON ROOFS CON COPPI HSCL 185/105-65 ZINCATO
11110713ZBOX X	SUPPORT FOR FIXING ON ROOFS CON COPPI HSCL 185/105-65 GALVANIZED- BOX 10 pcs