

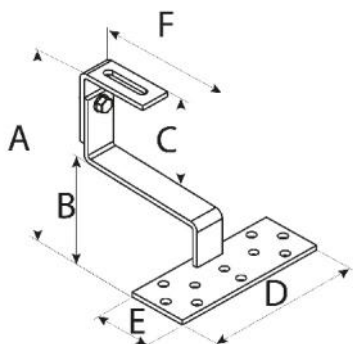
DATASHEET

rev. 00 - 00-00-0000

HSTL 160-140R

STL 160-140R supports for fixing to tiles on roofs

11110714 - 11110714BOX



DIMENSIONS

CODE	A [mm]	B [mm]	C [mm]	D [mm]	E [mm]	F [mm]	G [mm]
11110714	175 ÷ 135	45	116 ÷ 75	160	60	130	30
11110714BOX	175 ÷ 135	45	116 ÷ 75	160	60	130	30

ITEMS

CODE	DESCRIPTION
11110714	SUPPORT FOR FIXING ON ROOFS WITH TILES HSTL INOX AISI 304
11110714BOX	SUPPORT FOR FIXING ON ROOFS WITH TILES HSTL INOX AISI 304 - BOX 10 pcs