

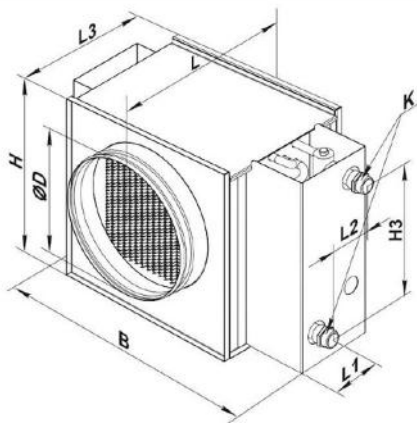
Hot water coil for heat recovery unit

- cod. 30370025 - cod. 30370030 - cod. 30370035
- cod. 30370040 - cod. 30370045 - cod. 30370050



TECHNICAL SPECIFICATIONS:

- To be used indoors with ambient temperature between +1 and +50°C
- Max temperature: +100°C
- Maximum pressure at +100°C: 16 MPa (16 bar)
- Designed for cold weather and temperature zones
- Copper hoses, aluminium finned pack
- Galvanized steel case



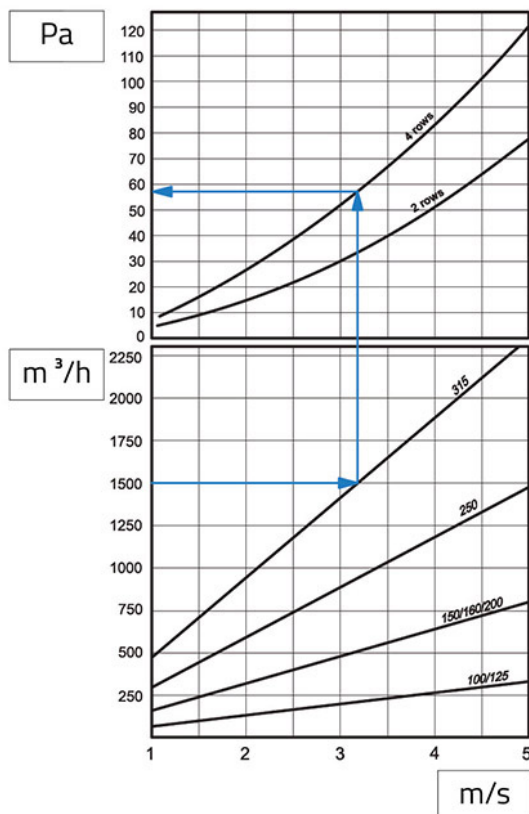
DIMENSIONS

CODE	MOD.	Ø D [mm]	B [mm]	H [mm]	H3 [mm]	L [mm]	L1 [mm]	L2 [mm]	L3 [mm]	K [mm]
30370025	200 - 2	198	400	280	200	300	32	43	220	G 3/4"
30370030	200 - 4	198	400	280	200	300	28	65	220	G 3/4"
30370035	250 - 2	248	470	350	270	350	32	43	270	G 1"
30370040	250 - 4	248	470	350	270	350	28	65	270	G 1"
30370045	315 - 2	313	550	430	350	450	57	43	370	G 1"
30370050	315 - 4	313	550	430	350	450	53	65	370	G 1"

TECHNICAL DATA

NO.OF COIL ROWS	AIR FLOW RATE [m³/h]	WEIGHT [kg]
2	600	7,5
4	600	8,2
2	900	10,3
4	900	10,8
2	1420	12,6
4	1420	13,4

PRESSURE LOSS DIAGRAM



ITEMS

CODE	DESCRIPTION
30370025	HOT WATER COIL FOR HEAT-RECOVERY UNITS 200-2
30370030	HOT WATER COIL FOR HEAT-RECOVERY UNITS 200-4
30370035	HOT WATER COIL FOR HEAT-RECOVERY UNITS 250-2
30370040	HOT WATER COIL FOR HEAT-RECOVERY UNITS 250-4
30370045	HOT WATER COIL FOR HEAT-RECOVERY UNITS 315-2
30370050	HOT WATER COIL FOR HEAT-RECOVERY UNITS 315-4

All rights relating to this publication are the exclusive property of Tecnosystemi SpA.

Tecnosystemi SpA reserves the right to make changes at any time and without notice, for technical or commercial needs.