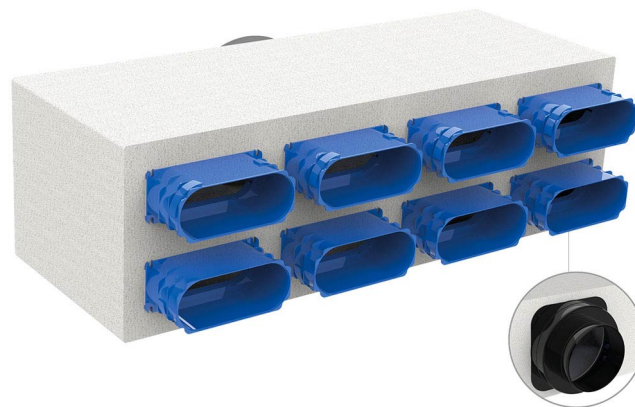


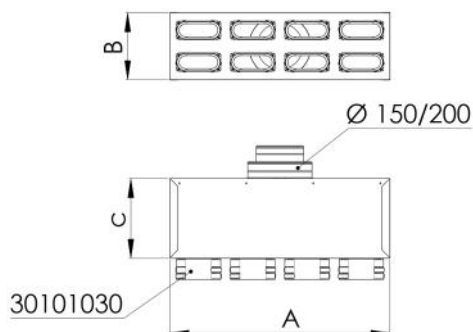
# Insulated box in sheet metal for flexible ducted pipe 4 - 6 - 8 - 10 - 12 oval outputs 120 x 35

- cod. ACD600007 - cod. ACD600010 - cod. ACD600013  
 - cod. ACD600016 - cod. ACD600019



## TECHNICAL SPECIFICATIONS:

- Made of galvanized sheet metal
- External insulation in 3 mm thick polyethylene
- Air inlet collar with double diameter with hose connection  $\varnothing$  150 - 200
- Outgoing collars as shown in the table
- Complete with brackets for ceiling mounting



## DIMENSIONS

CODE	A [mm]	B [mm]	C [mm]	INPUT Ø [mm]	No.of OUTLETS - [mm]
ACD600007	350	210	250	150 / 200	4 OVALS 120 x 35
ACD600010	520	210	250	150 / 200	6 OVALS - 120 x 35
ACD600013	690	210	250	150 / 200	8 OVALS - 120 x 35
ACD600016	860	210	250	150 / 200	10 OVALS - 120 x 35
ACD600019	1030	210	250	150 / 200	12 OVALS - 120 x 35

## ITEMS

CODE	DESCRIPTION
ACD600007	INSULATED SHEET METAL PLENUM FOR FLEXIBLE HOSE WITH 4 OVAL OUTLETS 120X35
ACD600010	INSULATED SHEET METAL PLENUM FOR FLEXIBLE HOSE WITH 6 OVAL OUTLETS 120X35
ACD600013	INSULATED SHEET METAL PLENUM FOR FLEXIBLE HOSE WITH 8 OVAL OUTLETS 120X35
ACD600016	INSULATED SHEET METAL PLENUM FOR FLEXIBLE HOSE WITH 10 OVAL OUTLETS 120X35
ACD600019	INSULATED SHEET METAL PLENUM FOR FLEXIBLE HOSE WITH 12 OVAL OUTLETS 120X35

All rights relating to this publication are the exclusive property of Tecnosystemi SpA.

Tecnosystemi SpA reserves the right to make changes at any time and without notice, for technical or commercial needs.