

HSLPST

pre-assembled side clamp for solar thermal panel

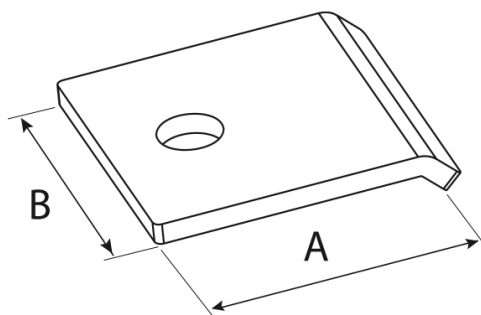
- cod. 11110736 - cod. 11110736BOX



TECHNICAL SPECIFICATIONS:

- Acetal copolymer slider with Geomet® treatment steel plate
- M8 thread
- AISI A2 stainless steel screws and spring

TECHNICAL DRAWING:



FULL SIZED:

CODE	A [mm]	B [mm]
11110736	43	40
11110736BOX	43	40

ITEMS

CODE	DESCRIPTION
11110736	PRE-ASSEMBLED CLAMP HSLPST
11110736BOX	PRE-ASSEMBLED CLAMP HSLPST - BOX 30 pcs

All rights relating to this publication are the exclusive property of Tecnosystemi SpA. Tecnosystemi SpA reserves the right to make changes at any time and without notice, for technical or commercial needs.

All rights relating to this publication are the exclusive property of Tecnosystemi SpA.

Tecnosystemi SpA reserves the right to make changes at any time and without notice, for technical or commercial needs.