

MCU

universal pre-assembled aluminium central clamp

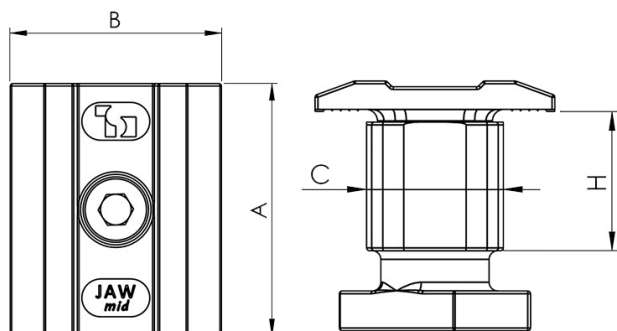
- cod. FVD200023 - cod. FVD200023BOX - cod. FVD200025
- cod. FVD200025BOX



TECHNICAL SPECIFICATIONS:

- Material: aluminium
- Length: 50 mm
- For panels height: 28 - 38 mm
- M8 stainless steel screw
- Max tightening torque: 10 Nm

TECHNICAL DRAWING:



FULL SIZED:

CODE	A [mm]	B [mm]	C [mm]	H [mm]
FVD200023	50	42	24	28+38
FVD200023BOX	50	42	24	28+38
FVD200025	50	42	24	28+38
FVD200025BOX	50	42	24	28+38

ITEMS

CODE	DESCRIPTION
FVD200023	MCU UNIVERSAL CENTRAL CLAMP
FVD200023BOX	MCU UNIVERSAL CENTRAL CLAMP - BOX of 50 pcs
FVD200025	MCU UNIVERSAL CENTRAL CLAMP - BLACK
FVD200025BOX	MCU UNIVERSAL CENTRAL CLAMP - BLACK - BOX of 50 pcs

All rights relating to this publication are the exclusive property of Tecnosystemi SpA.

Tecnosystemi SpA reserves the right to make changes at any time and without notice, for technical or commercial needs.