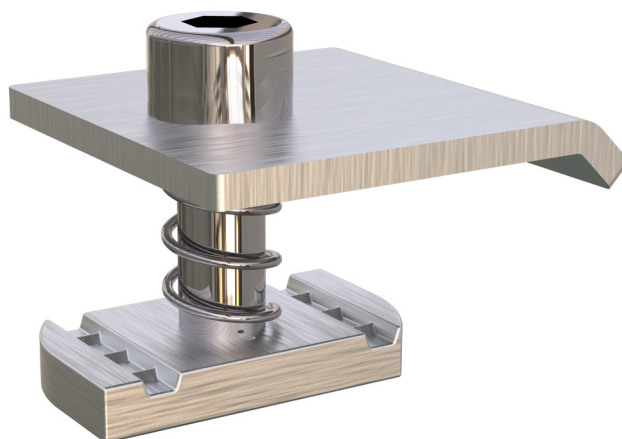


MPST-C

pre-assembled central clamp for solar thermal panel

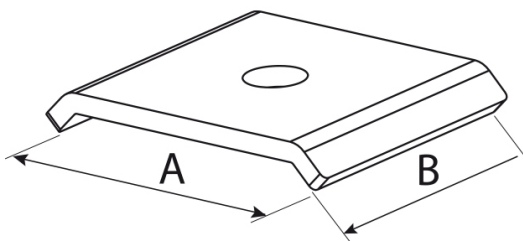
- cod. FVD200036 - cod. FVD200036BOX



TECHNICAL SPECIFICATIONS:

- Acetal copolymer slider with Geomet® treatment steel plate
- M8 thread
- AISI A2 stainless steel screws and spring

TECHNICAL DRAWING:



FULL SIZED:

CODE	A [mm]	B [mm]
FVD200036	50	40
FVD200036BOX	50	40

ITEMS

CODE	DESCRIPTION
FVD200036	MPST-L PRE-ASSEMBLED CENTRAL CLAMP FOR SOLAR THERMAL PANEL
FVD200036BOX	MPST-L PRE-ASSEMBLED CENTRAL CLAMP FOR SOLAR THERMAL PANEL - BOX 30 pcs

All rights relating to this publication are the exclusive property of Tecnosystemi SpA. Tecnosystemi SpA reserves the right to make changes at any time and without notice, for technical or commercial needs.

All rights relating to this publication are the exclusive property of Tecnosystemi SpA.

Tecnosystemi SpA reserves the right to make changes at any time and without notice, for technical or commercial needs.