

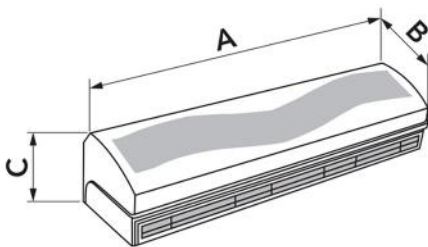
Centrifugal air curtain with front extraction

- cod. 12300036 - cod. 12300037



TECHNICAL SPECIFICATIONS:

- 2 models in white
- Operating temperature + 50°C - 10°C
- 3 speeds operated by remote control or manually
- Air curtains are designed for indoor use
- Front air intake
- The unit must be installed horizontally
- Maximum installation height 3.5 m



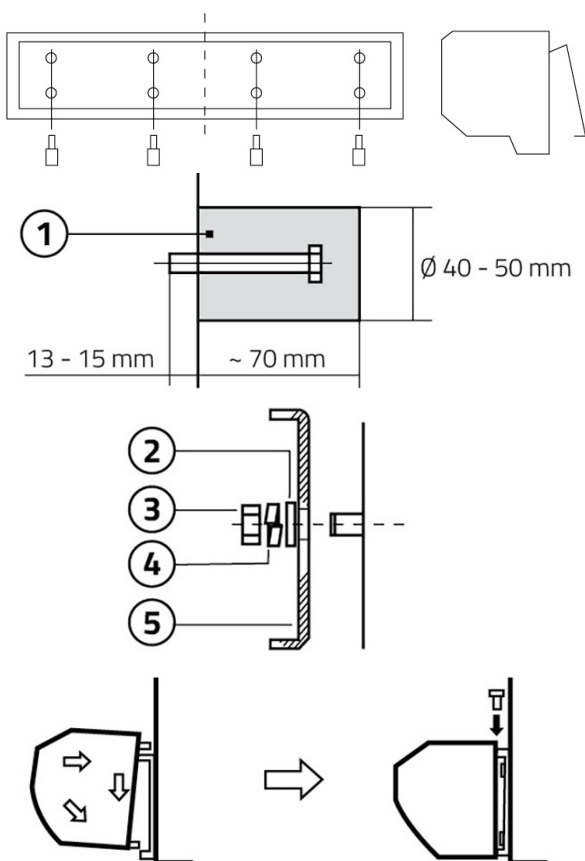
DIMENSIONS

CODE	MODEL	A [mm]	B [mm]	C [mm]	SUITABLE FOR LARGE DOORS [mm]
12300036	1000	1000	230	212	L.1000 H.3500
12300037	1500	1500	230	212	L.1500 H.3500

TECHNICAL DATA

CODE	SUPPLY VOLTAGE [V]	FREQUENCY [Hz]	POWER CONSUMPTION [W]	AIR SPEED AT INLET [m/s]	AIR FLOW RATE [m³/h]	SOUND POWER LEVEL [DB(A)]	REMOTE CONTROL	WEIGHT [kg]
12300036	230 ac	50	296	I:9 II:11 III:12.5	I:550 II:673 III:798	I:48 II:52 III:56	3-speed adjustment	16,9
12300037	230 ac	50	490	I:9 II:11 III:12.5	I:939 II:1148 III:1330	I:52 II:57 III:62	3-speed adjustment	22,6

INSTALLATION AND START-UP



Unscrew the mounting plate and remove it.

Drill a hole as shown in the instructions and insert the bolt into it, securing it with cement.

[1] Concrete

Position the mounting plate and secure it.

[2] Washer

[3] Nut

[4] Elastic washer

[5] Assembly plate

Install the air curtain on the mounting plate, making sure that it is in the safety position and tighten it with the appropriate screws.

GENERAL WARNINGS

- For safety reasons, the apparatus has to be installed on a solid wall in such a way as to avoid vibration and excessive noise
- Operating temperature: + 50°C to - 10°C
- Air curtains are designed for indoor use.
- Choose the model according to the installation height: if it is too high, it may adversely affect the operating distance and reduce the effectiveness of the apparatus
- The air is extracted from the front of the unit and blown downwards
- If the door is wider than the air curtain, several units may be installed side-by-side, leaving a space of 20 to 40 mm between one apparatus and the other
- The assembly plate shall be installed on a single, uniform wall
- There has to be a distance of at least 200 mm between the unit and the ceiling
- The unit must be installed horizontally
- The installation height shall not be less than 2.3 m above the ground
- The connection must be preceded by a three-pole switch with a minimum opening of at least 3 mm between the contacts

ITEMS

CODE	DESCRIPTION
12300036	"AIRFOR3 FRONT"CENTRIFUGAL AIR CURTAIN WITH FRONTAL AIR INTAKE 1000
12300037	"AIRFOR3 FRONT"CENTRIFUGAL AIR CURTAIN WITH FRONTAL AIR INTAKE 1500

All rights relating to this publication are the exclusive property of Tecnosystemi SpA.

Tecnosystemi SpA reserves the right to make changes at any time and without notice, for technical or commercial needs.