

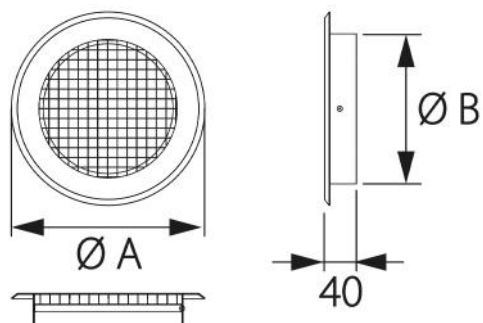
Round white intake grille

- cod. PWC200072 - cod. PWC200073 - cod. PWC200074



TECHNICAL SPECIFICATIONS:

- Made of white painted aluminium RAL 9016
- Operating temperature -40°C a +40°C
- Mounted using flat-head screws



DIMENSIONS

CODE	Ø A [mm]	Ø B [mm]	FLOW RATE [m³/h]
PWC200072	150	95	47
PWC200073	175	120	72
PWC200074	200	145	102

ITEMS

CODE	DESCRIPTION
PWC200072	ROUND INTAKE GRILLE Ø95 WHITE
PWC200073	ROUND INTAKE GRILLE Ø120 WHITE
PWC200074	ROUND INTAKE GRILLE Ø145 WHITE

All rights relating to this publication are the exclusive property of Tecnosystemi SpA.

Tecnosystemi SpA reserves the right to make changes at any time and without notice, for technical or commercial needs.