

RA - exc

universal tear-proof flange

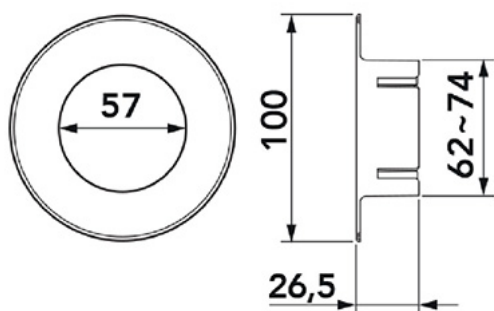
- cod. N11122001



TECHNICAL SPECIFICATIONS:

- Stiff, shockproof, anti-UVA and recyclable PVC
- Outer flange hole cover
- High finish
- For holes from Ø 62 to Ø 74 mm
- Rear springs supplied
- Heat shrink barcode packaging
- Paintable
- Operating temperature -20°C / +60°C

DIMENSIONS



EXAMPLE OF INSTALLATION:



ITEMS

CODE	DESCRIPTION
N11122001	RA - "RA" UNIVERSAL GROMMET WALL FLANGE

All rights relating to this publication are the exclusive property of Tecnosystemi SpA.

Tecnosystemi SpA reserves the right to make changes at any time and without notice, for technical or commercial needs.