

# In-line circular duct fan, single phase AC centrifuge

- cod. ACC500009 - cod. ACC500010 - cod. ACC500011
- cod. ACC500012 - cod. ACC500013

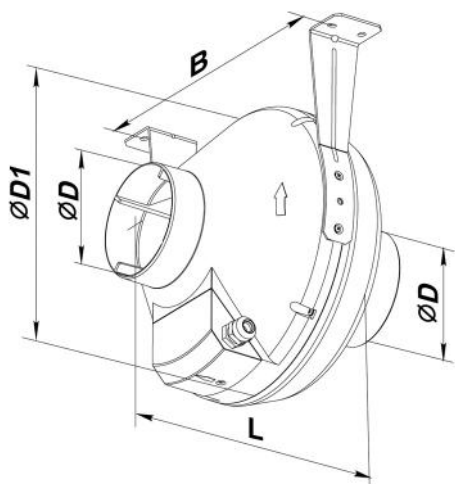


## TECHNICAL SPECIFICATIONS:

- Made of ABS
- Installation protection rating IPX4
- Assembly axial on pipe

## PACK COMPLETE WITH

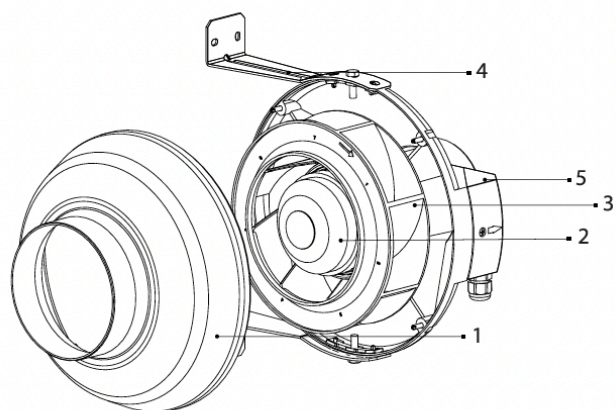
- 1 In-line fan
- 1 User manual



## DIMENSIONS:

CODE	Ø D [mm]	Ø D1 [mm]	B [mm]	L [mm]	MASS [kg]
ACC500009	100	250	270	230	2,01
ACC500010	125	250	270	220	2,20
ACC500011	150/160	300	310	286	2,45
ACC500012	200	340	354	276	3,00
ACC500013	250	340	354	265	4,30

## CONSTRUCTION AND PRINCIPLE OF OPERATION:



- [1] Box
- [2] Motor
- [3] Impeller
- [4] Bracket
- [5] Terminal board

The fan is equipped with a single-phase motor with an external rotor, equipped with a centrifugal impeller; The fan is designed for continuous operation.

## ELECTRICAL AND PERFORMANCE DATA

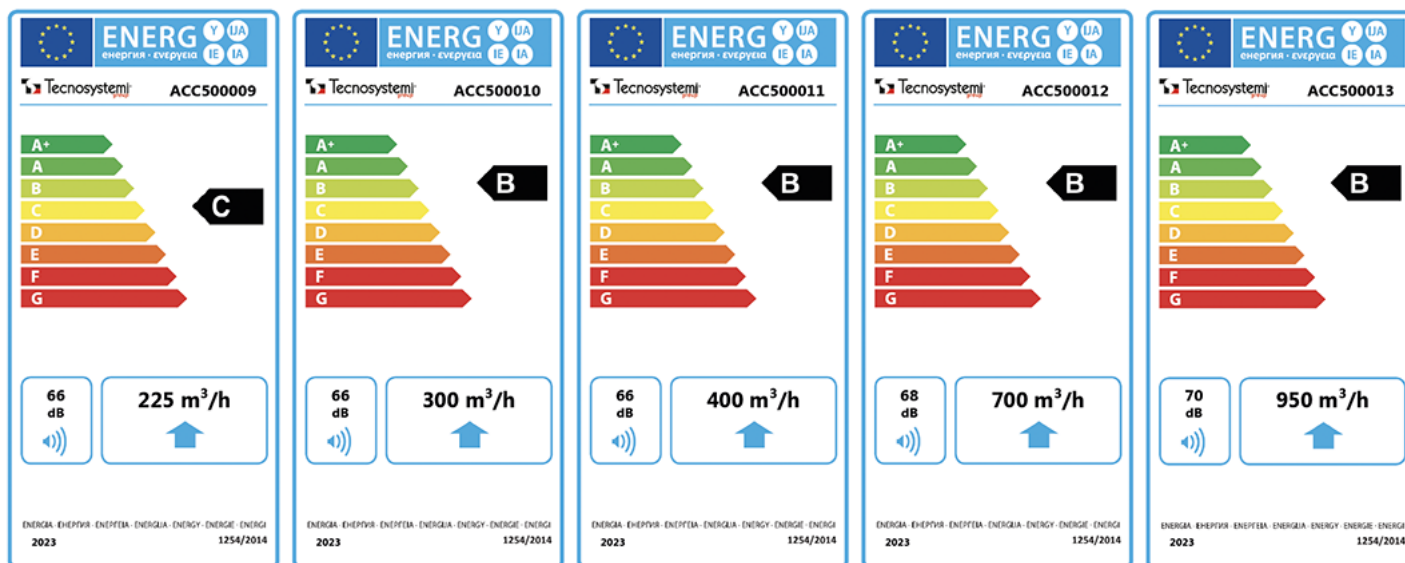
MODEL	ACC500009	ACC500010	ACC500011	ACC500012	ACC500013
Electrical power consumption [W]	80	79	80	107	173
Current [A]	0,34		0,35	0,47	0,76
Maximum flow rate [m³/h]	250	355	460	780	1080
Frequency of rotation [rpm]	2820	2800	2725	2660	2090
Power supply	230V +/- 10% single-phase				
Frequency	50 Hz				
Insulation class	Class II				
Protection rating [IP]	IPX4				
Maximum temperature of the air transported [°C]	-25 ÷ +60				

## ECODESIGN & ENERGY LABELLING

MODEL	ACC500009	ACC500010	ACC500011	ACC500012	ACC500013
Annual consumption of electricity (SEC, kWh/m2a) and Class SEC COLD CLIMATE	-52.8 A+	-53.2 A+	-53.7 A+	-53.9 A+	-53.7 A+
Annual consumption of electricity (SEC, kWh/m2a) and Class SEC TEMPERATE CLIMATE	-25.7 C	-26.1 B	-26.6 B	-26.8 B	-26.7 B
Annual consumption of electricity (SEC, kWh/m2a) and Class SEC HOT CLIMATE	-10.2 E	-10.6 E	-11.1 E	-11.3 E	-11.2 E
Type	UVU, UVR - Unidirectional Ventilation Unit, Residential				
Driving type	variable speed				
Type of heat recovery system	None				
Thermal efficiency of the heat recovery [%]	n/a				
Maximum flow rate [m <sup>3</sup> /h]	225	300		700	950
Electrical power input at maximum flow rate [W]	75	79	80	107	173
SOUND POWER LEVEL [LWA]	66			68	70
Reference flow rate [m <sup>3</sup> /s]	0.044	0.058	0.078	0.136	0.185
Reference pressure difference [Pa]	50				
SPI [W/m3/h]	0.197	0.167	0.129	0.112	0.123
Control factor	Local environmental control				
Maximum internal leakage [%]	N/A				
Maximum external leakage [%]	2.7				
internet address	www.tecnosystemi.com				
Annual consumption of electricity (AEC) (kWh electricity) COLD CLIMATE	104	88	68	59	65
Annual consumption of electricity (AEC) (kWh electricity) TEMPERATE CLIMATE	104	88	68	59	65
Annual consumption of electricity (AEC) (kWh electricity) HOT CLIMATE	104	88	68	59	65

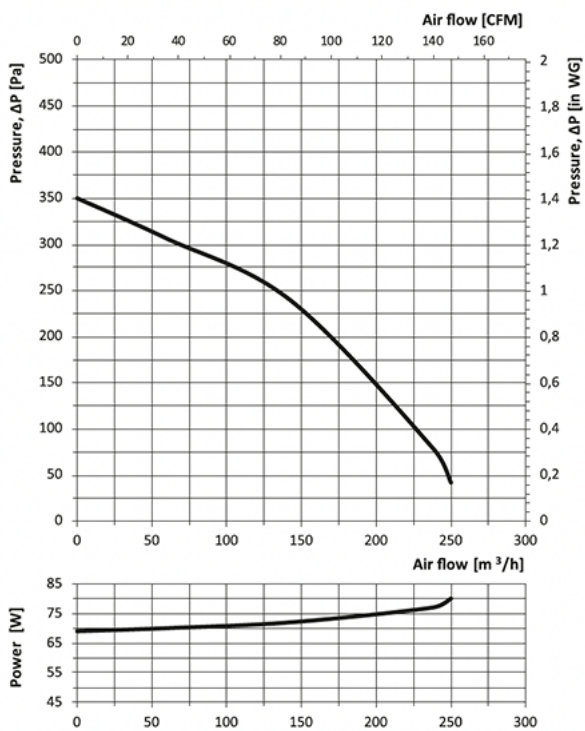
Annual heating savings (AHS) (kWh primary energy) COLD CLIMATE	5536
Annual heating savings (AHS) (kWh primary energy) TEMPERATE CLIMATE	2830
Annual heating savings (AHS) (kWh primary energy) HOT CLIMATE	1280

## ENERGY LABELLING:

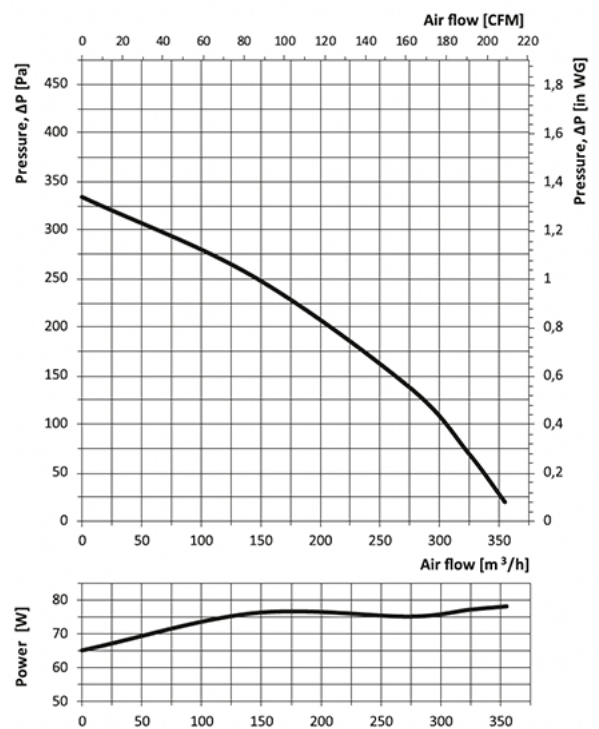


## CHARACTERISTIC CURVES:

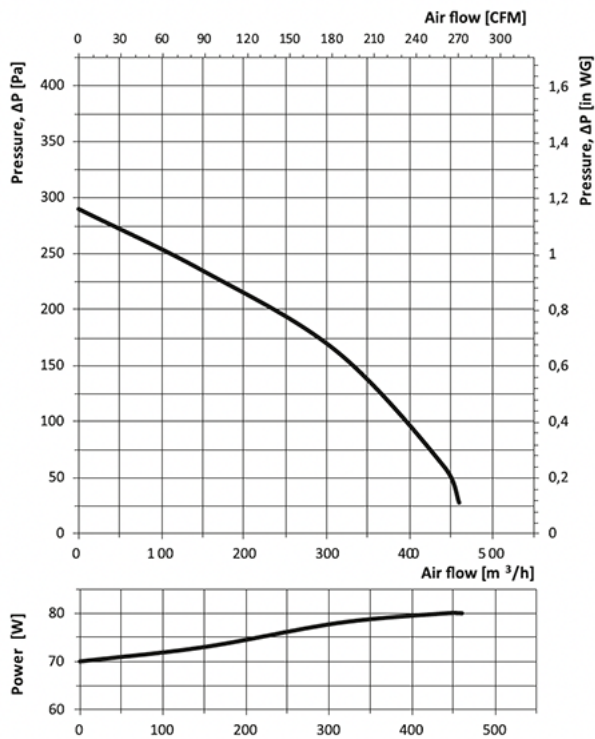
### ACC500009



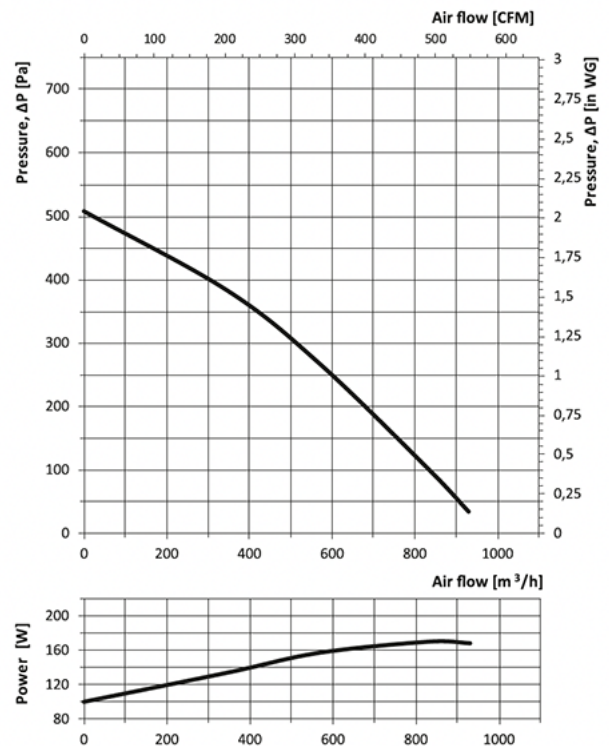
### ACC500010



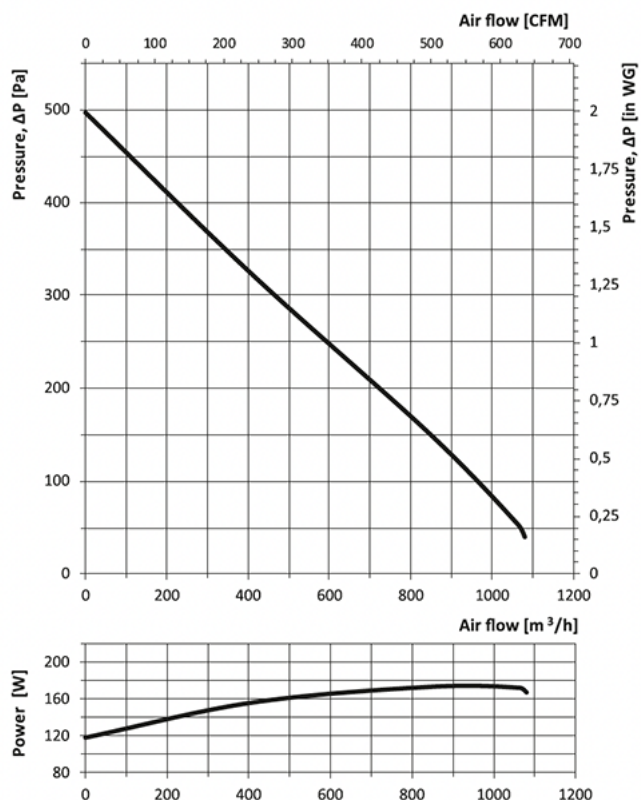
## ACC500011



## ACC500012



## ACC500013



### ITEMS

CODE	DESCRIPTION
ACC500009	FAN FOR CIRCULAR DUCTS Ø100 - "IN LINEA"
ACC500010	FAN FOR CIRCULAR DUCTS Ø125 - "IN LINEA"
ACC500011	FAN FOR CIRCULAR DUCTS Ø150/160 - "IN LINEA"
ACC500012	FAN FOR CIRCULAR DUCTS Ø200 - "IN LINEA"
ACC500013	FAN FOR CIRCULAR DUCTS Ø250 - "IN LINEA"

All rights relating to this publication are the exclusive property of Tecnosystemi SpA.

Tecnosystemi SpA reserves the right to make changes at any time and without notice, for technical or commercial needs.