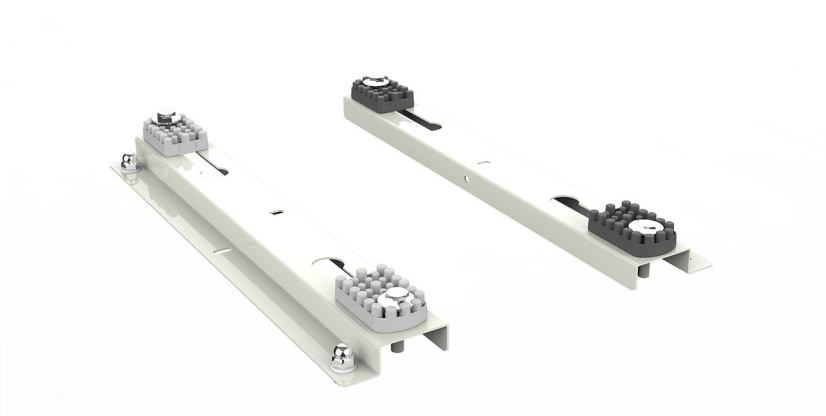


FREEDOM EVO

floor bracket crossbar kit

- cod. SCD500028 - cod. SCD500029 - cod. SCD500030



TECHNICAL SPECIFICATIONS:

- Made of galvanized sheet metal
- External polyester painting RAL 9002
- Includes "No- Shock" 2 Hard + 2 Soft vibration-damping kit
- High mechanical strength

ITEMS

CODE	DESCRIPTION
SCD500028	CROSS BAR KIT FOR 2' UNIT - FOR FREEDOM EVO 440
SCD500029	CROSS BAR KIT FOR 2' UNIT - FOR FREEDOM EVO 480
SCD500030	CROSS BAR KIT FOR 2' UNIT - FOR FREEDOM EVO 550

All rights relating to this publication are the exclusive property of Tecnosystemi SpA.

Tecnosystemi SpA reserves the right to make changes at any time and without notice, for technical or commercial needs.