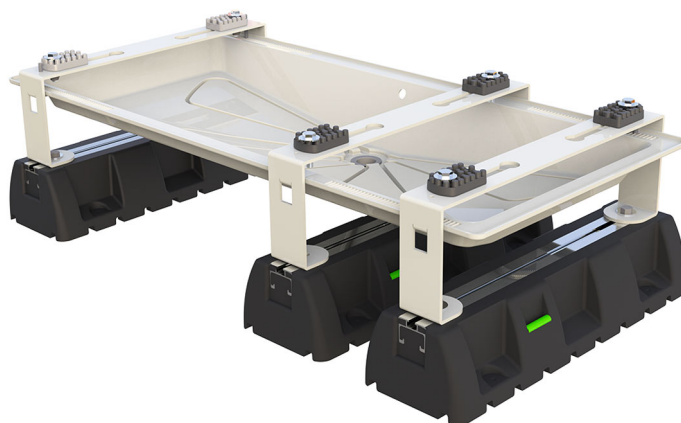


INFINITY

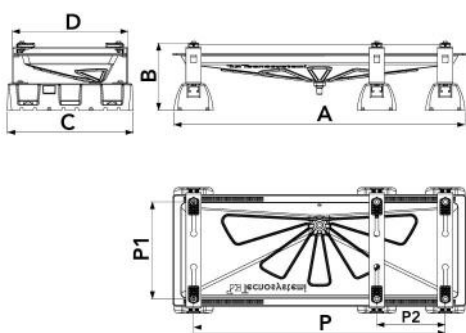
INFINITY floor support with BLUE RIVER and 3 EXTREME 100-8 bases

- cod. SCD500224 - cod. SCD500225 - cod. SCD500330



TECHNICAL SPECIFICATIONS:

- Electro-galvanised sheet metal feet
- Polyester exterior feet painted in ivory
- BLUE RIVER basin in ivory ABS PMMA plastic
- Coupling for condensate drain pipe \varnothing 16
- Includes "No- Shock" 2 Hard + 2 Soft vibration-damping kit
- SBR EXTREME vulcanised rubber floor bases with M8 fastening bolt



DIMENSIONS

CODE	A [mm]	B [mm]	C [mm]	D [mm]	P [mm]	P1 [mm]	P2 [mm]	Load capacity [kg]
SCD500224	1050	240	450	410	1000 - 400	350 - 150	140 - 250	170
SCD500225	1250	240	600	520	1100 - 600	450 - 250	140 - 400	200
SCD500330	1250	240	600	520	1100 - 600	450 - 250	140 - 400	200

ITEMS

CODE	DESCRIPTION
SCD500224	" INFINITY" FLOOR STAND WITH DRAIN PAN "BLUE RIVER - MEDIUM" + 3 pcs EXTREME 100-8
SCD500225	" INFINITY" FLOOR STAND WITH DRAIN PAN "BLUE RIVER - BIG" + 3 pcs EXTREME 100-8
SCD500330	FLOOR STAND "INFINITY" W/DRAIN PAN "BLUE RIVER 1250X500 + 3m CABLE + 3 FEET "EXTREME-8-100"

All rights relating to this publication are the exclusive property of Tecnosystemi SpA.

Tecnosystemi SpA reserves the right to make changes at any time and without notice, for technical or commercial needs.