

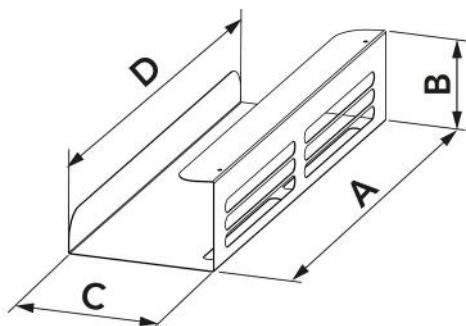
Deflector kit for box conditioners

- cod. SCD600001 - cod. SCD600020



TECHNICAL SPECIFICATIONS:

- Made of electro-galvanised sheet metal
- Painting polyester white RAL 9016
- Closed-cell polyethylene interior anti-condensation insulation (5mm thick)
- Fastenings not included
- Available in 4-piece kits



DIMENSIONS

CODE	A [mm]	B [mm]	C [mm]	D [mm]
SCD600001	530	105	170	530
SCD600020	530	105	170	200

ITEMS

CODE	DESCRIPTION
SCD600001	DEFLECTOR FOR CASSETTE UNITS (1 kit = 4 pcs)
SCD600020	DEFLECTOR SET FOR CASSETTE UNITS UP TO 60x60 (1 kit = 4 pcs)

All rights relating to this publication are the exclusive property of Tecnosystemi SpA.

Tecnosystemi SpA reserves the right to make changes at any time and without notice, for technical or commercial needs.