

# OPTIMA T

standard duct

- cod. SCD100136 - cod. 11130062 - cod. 11130075
- cod. 11130100 - cod. SCD100123 - cod. SCD100146
- cod. SCD100147 - cod. SCD100148 - cod. SCD100197
- cod. SCD100198 - cod. SCD100199



## TECHNICAL SPECIFICATIONS:

- Stiff, shockproof, anti-UVA PVC, white or grey, recyclable
- Sharp-edged bottom
- Pre-punched slots for wall mounting
- Prepared for insertion of the mini pumps Easy Flow, Easy One, Aqua Split (only model T 75-OPT)
- Central closure with patented accidental anti-release
- Rounded cover
- Bar length 2 m
- Paintable
- Operating temperature -20°C / +60°C

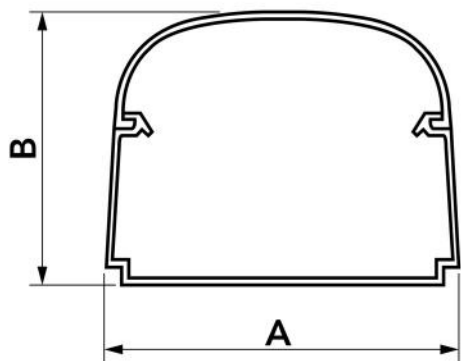
## MODELS AVAILABLE:



WHITE RAL 9010



GREY  
ANTRACITE RAL  
7016



## DIMENSIONS

CODE	MODEL	A [mm]	B [mm]
SCD100136	T 35 - OPT	32	28
11130062	T 62 - OPT	62	46
11130075	T 75 - OPT	74	56
11130100	T 102 - OPT	100	66
SCD100123	T 135 - OPT	135	82
SCD100146	T 75 - OPT	74	56
SCD100147	T 102 - OPT	100	66
SCD100148	T 135 - OPT	135	82
SCD100197	T 75 - OPT	74	56
SCD100198	T 102 - OPT	100	66
SCD100199	T 135 - OPT	135	82

## ITEMS

CODE	DESCRIPTION
SCD100136	T35 -OPT - "OPTIMA T" T35 TRUNKING - 2 mt. long
11130062	T62 -OPT - "OPTIMA T" T62 TRUNKING - 2 mt. long
11130075	T75 -OPT - "OPTIMA T" T75 LINE TRUNKING - 2 mt. long
11130100	T102 -OPT - "OPTIMA T" T102 LINE TRUNKING - 2 mt. long
SCD100123	T135 -OPT - "OPTIMA T" T135 LINE TRUNKING - 2 mt. long
SCD100146	"OPTIMA T" T75 LINE TRUNKING - 2 mt. Long - ANTHRACITE GREY Mod. T75 -OPT
SCD100147	"OPTIMA T" T102 LINE TRUNKING - 2 mt. Long - ANTHRACITE GREY Mod. T102 -OPT
SCD100148	"OPTIMA T" T135 LINE TRUNKING - 2 mt. Long - ANTHRACITE GREY Mod. T1352 -OPT
SCD100197	"OPTIMA T" T75 LINE TRUNKING - 2 mt. Long - BLACK - T75 -OPT
SCD100198	"OPTIMA T" T102 LINE TRUNKING - 2 mt. Long - BLACK - T102 -OPT
SCD100199	"OPTIMA T" T135 LINE TRUNKING - 2 mt. Long - BLACK - T1352 -OPT

All rights relating to this publication are the exclusive property of Tecnosystemi SpA.

Tecnosystemi SpA reserves the right to make changes at any time and without notice, for technical or commercial needs.