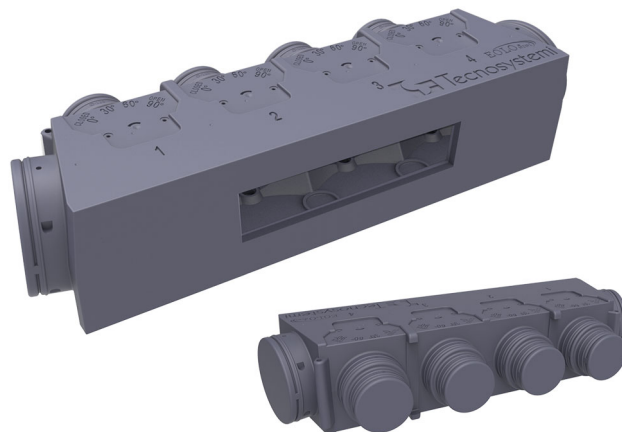


EOLO MINI UNIVERSAL

Polystyrene plenum kit

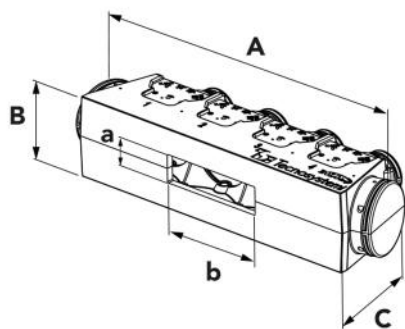


- cod. PWD400034 - cod. PWD400035



TECHNICAL SPECIFICATIONS:

- Made of sintered expanded polystyrene
- Ready for ceiling anchoring via threaded bars
- Thermal insulation, waterproof
- Thermal conductivity: 0.030 / 0.033 W/mK with respect to the EN 12667 / EN 12939 standard
- Resistance to vapour 40 / 70 μ in relation to EN 12086
- Operating temperature - 30°C / + 90°C
- Water absorption % volume ≤ 5 in relation to EN 12087
- Reaction to fire class and according to EN 13501-1:2009
- Thermal performance thickness 30 mm 0.95 m²K/W
- Integrated front and side collar
- Tube of glue
- Aluminium profile for flange supplied
- Plenum-machine coupling with aluminium profile to be cut to size (included in kit)



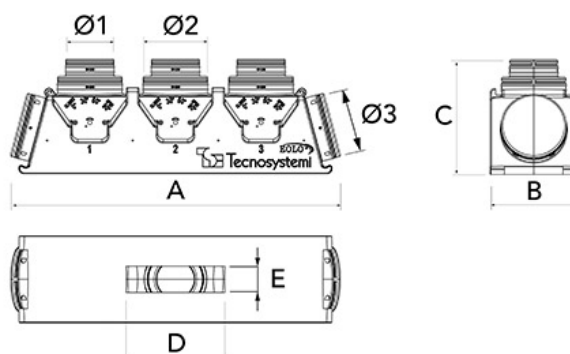
DIMENSIONS

CODE	MODEL	FIXED EXTERNAL WIDTH A [mm]	FIXED EXTERNAL HEIGHT B [mm]	FIXED EXTERNAL DEPTH C [mm]	MAXIMUM INTERNAL HEIGHT a [mm]	INTERNAL WIDTH b [mm]	FRONT COLLAR DIMENSIONS INCLUDED Ø1 [mm]	DIM. SIDE COLLAR INCLUDED Ø2 [mm]	Ø3 [mm]
PWD400034	AM3	818	217	346	185	600	No.3 Ø 125	No. 2 Ø 150	N°2 Ø 200
PWD400035	BM4	1008	217	346	185	795	No.4 Ø 125	No. 2 Ø 150	N°2 Ø 200

THE KIT CONTAINS:

- Plenum "Eolo Mini"
- 2 aluminium bars for flange
- Glue tube
- Sealing gasket
- Assembly Instructions

DIMENSIONS



DATASHEET

MODEL	WIDTH A [mm]	HEIGHT B [mm]	DEPTH C [mm]	MAX TEMPLATE HOLE WIDTH [mm]	MAX. HEIGHT OF TEMPLATE HOLE E [mm]	FRONT COLLAR INCLUDED No. Ø 1 [mm]	FRONT COLLAR INCLUDED No. Ø 2 [mm]	SIDE COLLAR INCLUDED N° Ø 3 [mm]
EOLO 3-WAY	818	217	346	up to 600	up to 185	No.3 Ø 125	No.3 Ø 150	N°2 Ø 200
EOLO 4-WAY	1008	217	346	up to 795	up to 185	No.4 Ø 125	No.4 Ø 150	N°2 Ø 200

ITEMS

CODE	DESCRIPTION
PWD400034	UNIVERSAL PLENUM KIT "EOLO MINI AM3 UNIVERSAL"
PWD400035	UNIVERSAL PLENUM KIT "EOLO MINI BM4 UNIVERSAL"

All rights relating to this publication are the exclusive property of Tecnosystemi SpA.

Tecnosystemi SpA reserves the right to make changes at any time and without notice, for technical or commercial needs.