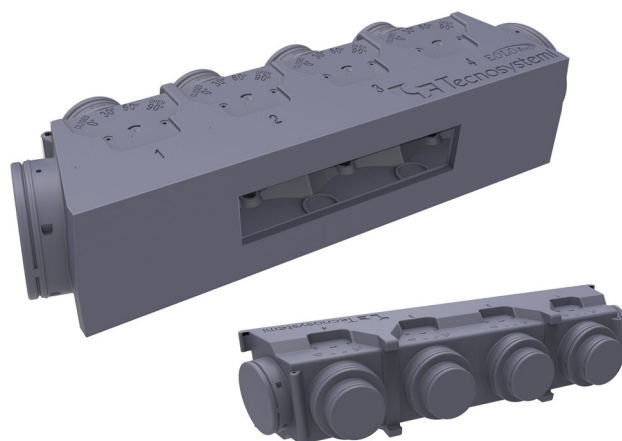


EOLO UNIVERSAL

Polystyrene plenum kit



- cod. PWD400030 - cod. PWD400031 - cod. PWD400032
- cod. PWD400033

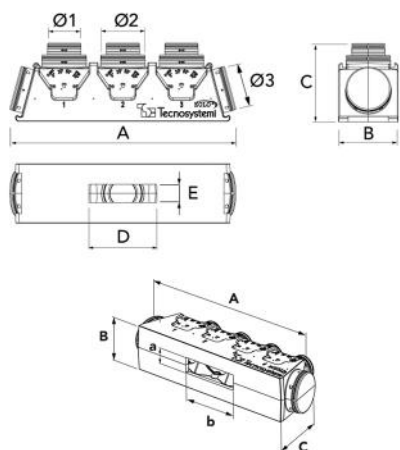


TECHNICAL SPECIFICATIONS:

- Made of sintered expanded polystyrene
- Ready for ceiling anchoring via threaded bars
- Thermal insulation, waterproof
- Thermal conductivity: 0.030 / 0.033 W/mK with respect to the EN 12667 / EN 12939 standard
- Resistance to vapour 40 / 70 μ in relation to EN 12086
- Operating temperature - 30°C / + 90°C
- Water absorption % volume ≤ 5 in relation to EN 12087
- Reaction to fire class and according to EN 13501-1:2009
- Thermal performance thickness 30 mm 0.95 m²K/W
- Integrated front and side collar
- Tube of glue
- Aluminium profile for flange supplied
- Plenum-machine coupling with aluminium profile to be cut to size (included in kit)

THE KIT CONTAINS:

- Plenum "Eolo Mini"
- 2 aluminium bars for flange
- Glue tube
- Sealing gasket
- Assembly Instructions



DIMENSIONS

CODE	MODEL	FIXED EXTERNAL WIDTH A [mm]	FIXED EXTERNAL HEIGHT B [mm]	FIXED EXTERNAL DEPTH C [mm]	MAXIMUM INTERNAL HEIGHT a [mm]	INTERNAL WIDTH b [mm]	FRONT COLLAR DIMENSIONS INCLUDED Ø 1 [mm]	DIM. SIDE COLLAR INCLUDED Ø 2 [mm]	Ø 3 [mm]
PWD400030	E2	741	244	348	215	550	No. 2 Ø 150	N° 2 Ø 200	
PWD400031	A3	1000	264	348	up to 215	up to 800	N° 3 Ø 150/200	N° 2 Ø 200	
PWD400032	B4	1261	284	348	up to 235	up to 1060	N° 4 Ø 150/200	N° 2 Ø 200	
PWD400033	C5	1520	304	348	up to 245	up to 1300	N° 5 Ø 150/200	N° 2 Ø 200	

ITEMS

CODE	DESCRIPTION
PWD400030	UNIVERSAL PLENUM KIT "EOLO E2 UNIVERSAL"
PWD400031	UNIVERSAL PLENUM KIT "EOLO A3 UNIVERSAL"
PWD400032	UNIVERSAL PLENUM KIT "EOLO B4 UNIVERSAL"
PWD400033	UNIVERSAL PLENUM KIT "EOLO C5 UNIVERSAL"

All rights relating to this publication are the exclusive property of Tecnosystemi SpA.

Tecnosystemi SpA reserves the right to make changes at any time and without notice, for technical or commercial needs.