

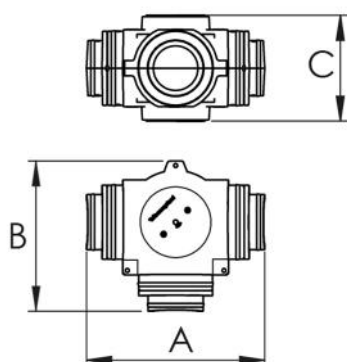
Multiple "T" shunt in sintered polystyrene for ducted pipes

- cod. PWD400194



TECHNICAL SPECIFICATIONS:

- Made of sintered polystyrene
- Suitable for ducted tubes (see coupling diameters as per table)



DIMENSIONS

CODE	A [mm]	B [mm]	C [mm]	Ø COUPLERS [mm]
PWD400194	472	398	280	200 / 150

ITEMS

CODE	DESCRIPTION
PWD400194	*T SHAPED POLYSTYRENE MULTIPLE BY-PASS FOR DUCTED PIPES 200/150

All rights relating to this publication are the exclusive property of Tecnosystemi SpA.

Tecnosystemi SpA reserves the right to make changes at any time and without notice, for technical or commercial needs.