

# SIRIO 0.10V PACK

- cod. GAD600035 - cod. GAD600036 - cod. GAD600037
- cod. GAD600038 - cod. GAD600039 - cod. GAD600040
- cod. GAD600041 - cod. GAD600042 - cod. GAD600043
- cod. GAD600044 - cod. GAD600045 - cod. GAD600046
- cod. GAD600047 - cod. GAD600048 - cod. GAD600049
- cod. GAD600050



## DESCRIPTION

The "Sirio 0.10V Point" dampers installed on a delivery plenum for ducted units allow the use of the "SIRIO 0-10V PACK POINT" system, designed for the management of areas within an air conditioning system.

The system allows the opening, closing and partial control of the damper throttle by means of the regulator 0-10V of a home automation system. If all the dampers are fully closed, the ducted pipe can be switched off using the clean output contact on each motor of the "Sirio 0.10V Point".

The clean contact\* on each damper allows adjustment of the throttle, the ducts to be switched on and off, without the need to use the "POLARIS 4X" or 5X control units.

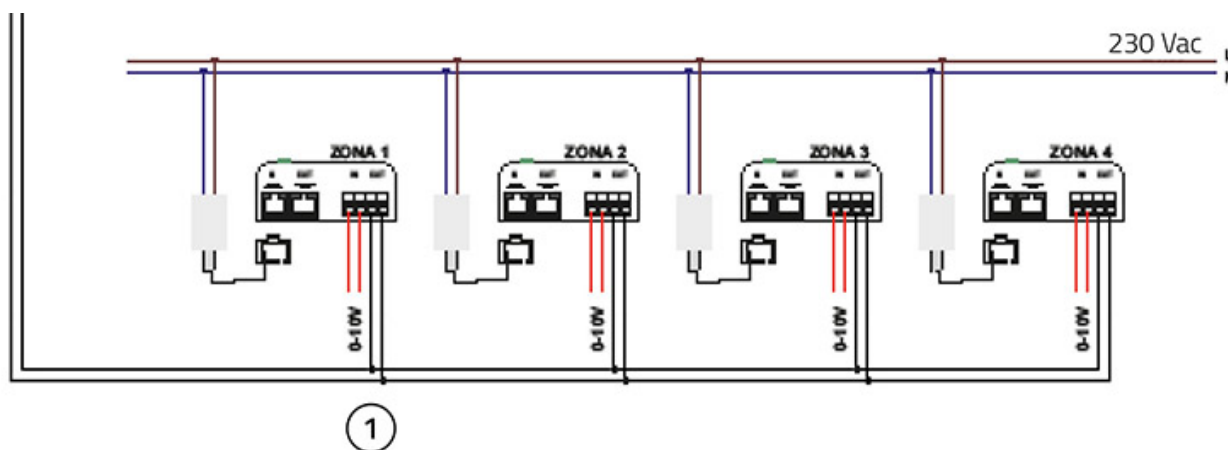
The "Sirio 0.10V Point" dampers can be operated by commercially available 0-10V speed regulators (item is not in the Tecnosystemi catalogue);

The "Sirio 0.10V Points" include as standard the built-in power supply for each damper and the mechanical bypass to be installed to the right or left of the plenum to avoid possible overpressure situations;

## TECHNICAL SPECIFICATIONS:

- Anti-condensation ABS plastic
- Built-in power supply included
- OUT contact: ON/OFF (closed, butterfly valve open) (open, butterfly valve closed)
- Input: 0-10V (regulator not supplied and not listed in the catalogue)
- Removable, rotatable motor for easy maintenance
- Operating temperature 0°C A +70°C
- Available in 5Ø

## WIRING CONNECTION DIAGRAM



[1] 0-10V: controlled by home automation system or regulator  
 0-10V - the damper opens by modulating according to the voltage

With throttle open: OUT contact closed  
 With throttle closed: OUT contact open

## ITEMS

CODE	DESCRIPTION
GAD600035	
GAD600036	
GAD600037	
GAD600038	
GAD600039	
GAD600040	
GAD600041	
GAD600042	
GAD600043	
GAD600044	
GAD600045	
GAD600046	
GAD600047	
GAD600048	
GAD600049	
GAD600050	

All rights relating to this publication are the exclusive property of Tecnosystemi SpA.

Tecnosystemi SpA reserves the right to make changes at any time and without notice, for technical or commercial needs.