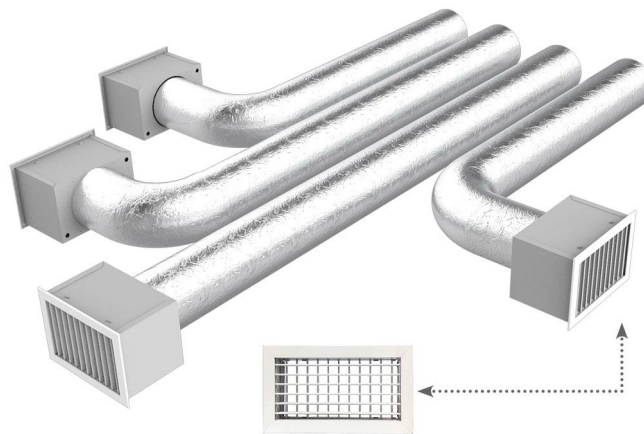


RAPID completion KIT for PROAIR PACK 4 zones with Ø 125 connections and adjustable flap nozzles

- cod. GAC500003



DESCRIPTION

The "Rapid Kits" are designed for "Proair Pack" ventilation systems.

When creating a ducted air conditioning system, the pre-packaged kits facilitate the customer in choosing the items necessary for the distribution of air in the individual environments, without the possibility of error.

The "Rapid Kits" are available for the "Proair Pack" systems with 2 - 3 - 4 - 5 - 6 zones with circular connections of Ø 125 / 150 / 200 mm.

The possibility of choosing between delivery nozzles with adjustable flaps, with 15° inclined flaps and with linear diffusers with 2 slots, provides everything needed to create and complete the installation of the ducted unit with high quality products, with every detail covered from a technical, functional and aesthetic point of view.

The regulation of the temperature and air flow of the single zone is managed by the "Proair Pack" system chronothermostats that are used to achieve the maximum performance and optimum comfort inside homes or offices.

ATTENTION: the plenum is included in the "Proair Pack"

THE KIT CONSISTS OF:

- 4 white painted aluminium delivery nozzles, installation hole 300 x 100 mm, outer size 332 x 132 mm COD. WB11161505
 - 4 insulated plenums with rear coupling for nozzle (332 x 132) COD. PWD100004
 - 1 double-wall aluminium flexible hose Ø 127 mm 10 m COD. 11152127
 - 1 white aluminium intake grille with filter installation hole 600 x 400 mm, external measurement 632 x 432 mm COD. WB11161525
 - 8 hose clamps
- Customisable on request

ITEMS

CODE	DESCRIPTION
GAC500003	"KIT RAPID 4 ZONES - (COUPLING Ø 125 mm)

All rights relating to this publication are the exclusive property of Tecnosystemi SpA.

Tecnosystemi SpA reserves the right to make changes at any time and without notice, for technical or commercial needs.