

Automatic start kit for air curtains.

- cod. 12300058



OPERATION:

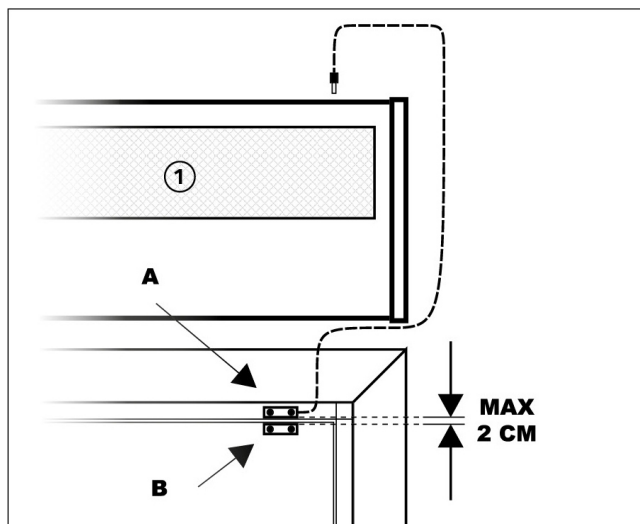
Through contact sensors, it automatically allows the ignition and shut-off of the air curtain to the opening and closing of the door, without using the remote control.

Can be used with the air curtain models: Airjet, Aria 3 Silence with heating element, Aria 3 Silence Front, Aria 2 Elegance T, Aria 2 Elegance TR, Aria 2 Elegance CR, Air for 3 CR

POSSIBLE OPERATING MODES OF THE KIT:

- MODE 1: When the door is opened, the barrier only operates at maximum speed, fully excluding the use of the remote control and electrical heating elements (if present).
- MODE 2: In this mode it is possible to select, through the remote control, both the operation of the speeds and of the electrical heating elements.

INSTALLING AND COMMISSIONING THE AUTOMATIC START KIT (optional)



[1] Air curtain

Connect the wired sensor to the air curtain via jack.
 Attach the magnetic sensor A to the door casing or to a solid point with the door frame.
 Attach the second sensor to the moving part of the door leaving no more than 2 cm between the two sensors.
 When the "automatic start kit" is installed, the air curtain can be switched on and off with the opening / closing of the door.

ITEMS

CODE	DESCRIPTION
12300058	AUTOMATIC START KIT FOR AIR CURTAINS

All rights relating to this publication are the exclusive property of Tecnosystemi SpA.

Tecnosystemi SpA reserves the right to make changes at any time and without notice, for technical or commercial needs.