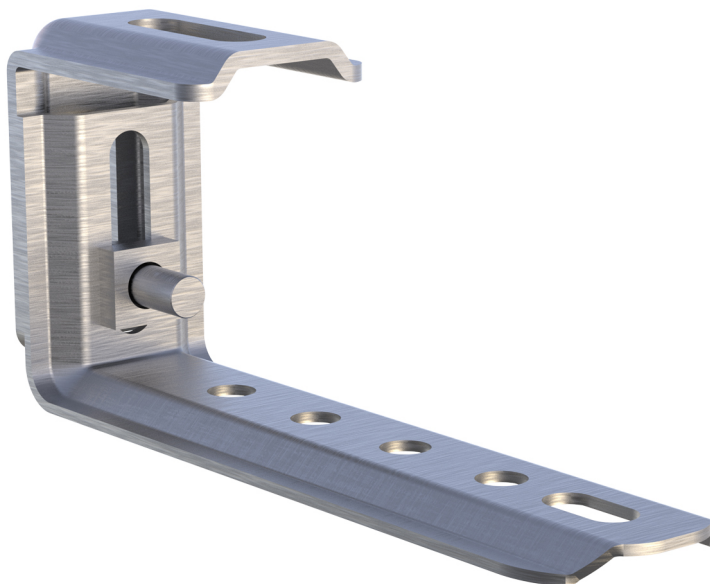


HSRPT

3 mm thickness flat adjustable support for fixing on roofs

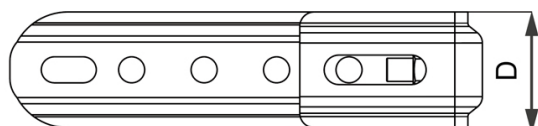
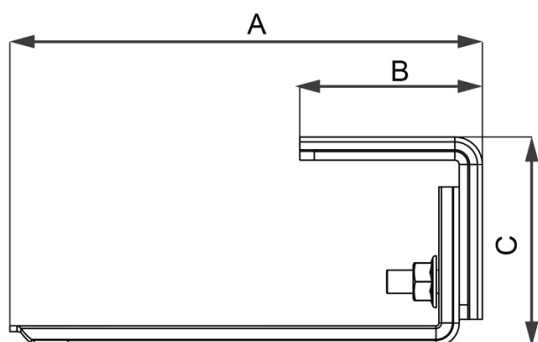
- cod. 11111107 - cod. 11111107BOX



TECHNICAL SPECIFICATIONS:

- Material: AISI 304 stainless steel
- Flexural modulus of elasticity: 196000 N/mm²
- Tensile breaking load: 515 N/mm²
- 3 holes Ø 11 prepared for roof fixing
- Hook dimensions: 40mm x 3mm thickness

TECHNICAL DRAWING:

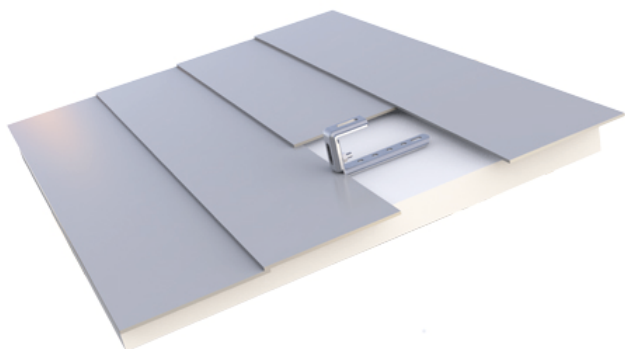


FULL SIZED:

CODE	A [mm]	B [mm]	C [mm]	D [mm]
11111107	150	60	71-101	40
11111107BOX	150	60	71-101	40

APPLICATION:

Fixing of photovoltaic systems on roofing tiles supported by strips of varying thickness.



ITEMS

CODE	DESCRIPTION
11111107	SUPPORT WHIT ONE REGULATION "HSRPT"
11111107BOX	SUPPORT WHIT ONE REGULATION "HSRPT" - BOX 10 pcs

All rights relating to this publication are the exclusive property of Tecnosystemi SpA.

Tecnosystemi SpA reserves the right to make changes at any time and without notice, for technical or commercial needs.