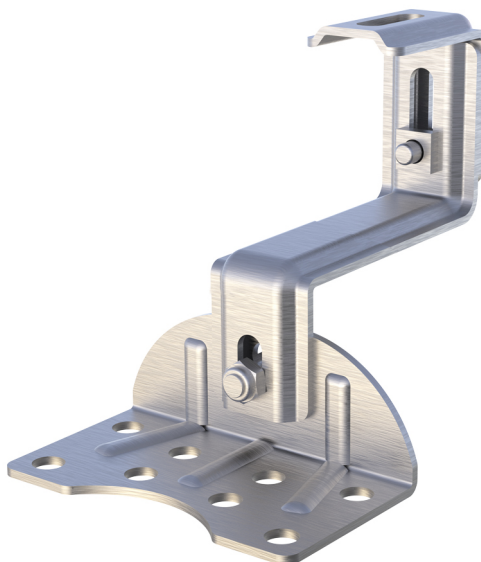


# HS2DRT

3 mm thick support double adjustment for tiled roofs

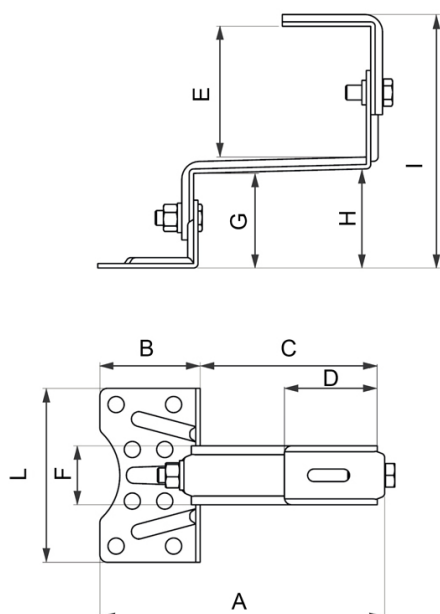
- cod. 11111102 - cod. 11111102BOX



## TECHNICAL SPECIFICATIONS:

- Material: AISI 304 stainless steel
- Flexural modulus of elasticity: 196000 N/mm<sup>2</sup>
- Tensile breaking load: 515 N/mm<sup>2</sup>
- 8 holes Ø 11 prepared for bracket fixing
- Hook dimensions: 40mm x 3mm thickness

## TECHNICAL DRAWING:



## DIMENSIONS OF THE SHORT VERSION:

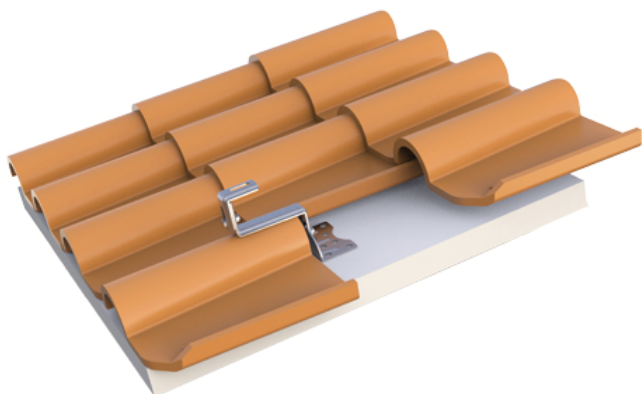
A [mm]	B [mm]	C [mm]	D [mm]	E [mm]	F [mm]	G [mm]	H [mm]	I [mm]	L [mm]
190	70	120	60	72-97	40	53-64	56-67	136-172	120

## DIMENSIONS OF THE LONG VERSION:

A [mm]	B [mm]	C [mm]	D [mm]	E [mm]	F [mm]	G [mm]	H [mm]	I [mm]	L [mm]
190	70	120	60	60-75	40	67-78	70-81	146-172	120

## APPLICATION:

Fixing of photovoltaic systems on roofing tiles supported by strips of varying thickness.



## ITEMS

CODE	DESCRIPTION
11111102	SUPPORT WHIT DUAL REGULATION "HS2DRT"
11111102BOX	SUPPORT WHIT DUAL REGULATION "HS2DRT" - BOX 10 pcs

All rights relating to this publication are the exclusive property of Tecnosystemi SpA.

Tecnosystemi SpA reserves the right to make changes at any time and without notice, for technical or commercial needs.