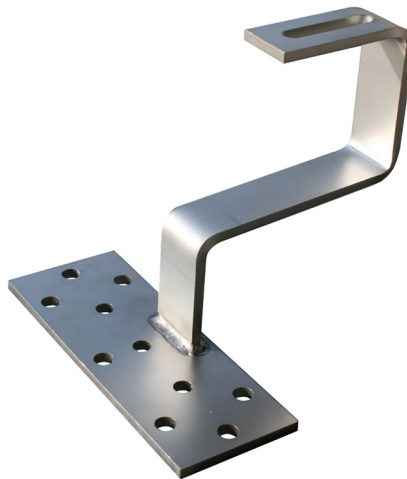


# HSTT 135/35-85

STL 160-140R supports for fixing to tiles on roofs

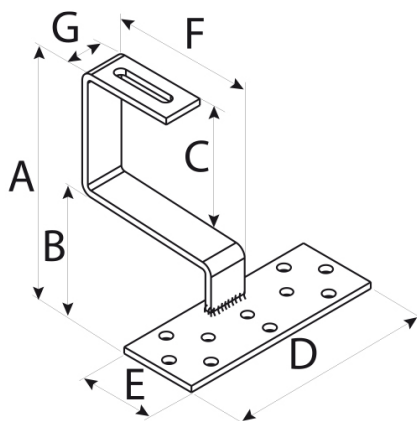
- cod. 11110700 - cod. 11110700BOX - cod. 11110700Z
- cod. 11110700ZBOX



## TECHNICAL SPECIFICATIONS:

- Material: galvanised steel
- Tensile breaking load: 440 N/mm<sup>2</sup>
- Treatment: hot dip galvanised
- Hook dimensions: 30mm x 5mm thickness
- 10 holes Ø 9 prepared for plate fixing

## TECHNICAL DRAWING:



## FULL SIZED:

CODE	A [mm]	B [mm]	C [mm]	D [mm]	E [mm]	F [mm]	G [mm]
11110700	135	35	85	160	60	110	30
11110700BOX	135	35	85	160	60	110	30

## STAINLESS STEEL CODE

CODE	DESCRIPTION
11110700	SUPPORT FOR FIXING ON ROOFS WITH TILES HSTT 135/35-85 INOX AISI 304
11110700BOX	SUPPORT FOR FIXING ON ROOFS WITH TILES HSTT 135/35-85 INOX AISI 304 - BOX 10 pcs

## GALVANISED STEEL CODE

CODE	DESCRIPTION
11110700Z	SUPPORT FOR FIXING ON ROOFS WITH TILES HSTT 135/35-85 ZINCATO
11110700ZBOX	SUPPORT FOR FIXING ON ROOFS WITH TILES HSTT 135/35-85 GALVANIZED- BOX 10 pcs

All rights relating to this publication are the exclusive property of Tecnosystemi SpA.

Tecnosystemi SpA reserves the right to make changes at any time and without notice, for technical or commercial needs.