

R

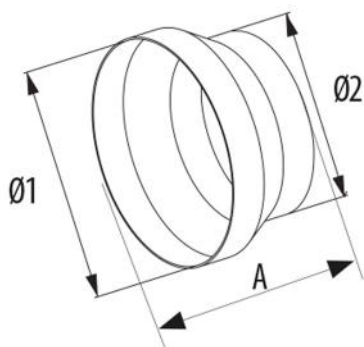
reduction

- cod. 11161391B - cod. 11161391C - cod. PWC500078



TECHNICAL SPECIFICATIONS:

- PVC



DIMENSIONS

CODE	Ø1 [mm]	Ø2 [mm]	A [mm]
11161391B	125	100	60
11161391C	150	125	60
PWC500078	200	150	71

ITEMS

CODE	DESCRIPTION
11161391B	REDUCER "RDZ125" 100
11161391C	REDUCER "RDZ150" 125
PWC500078	

All rights relating to this publication are the exclusive property of Tecnosystemi SpA.

Tecnosystemi SpA reserves the right to make changes at any time and without notice, for technical or commercial needs.