

LEONIDA

bracket



- cod. SCD500210 - cod. SCD500211

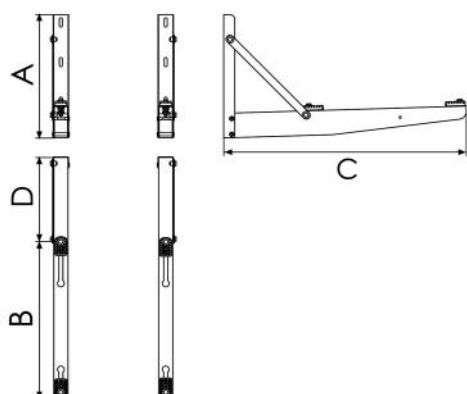


TECHNICAL SPECIFICATIONS:

- Made of electro-galvanised sheet metal
- External polyester painting RAL 9002
- "NO-SHOCK" vibration dampers supplied

PACK COMPLETE WITH

- "No-Shock" sliding vibration dampers
- screws



DIMENSIONS

CODE	A [mm]	B [mm]	C [mm]	D [mm]	LOAD CAPACITY [kg]
SCD500210	400	300÷490	785	275÷400	150
SCD500211	400	300÷490	785	275÷400	185

ITEMS

CODE	DESCRIPTION
SCD500210	BRACKET "LEONIDA" 785x2 (LOAD CAPACITY 150 kg)
SCD500211	BRACKET "LEONIDA" 785x3 (LOAD CAPACITY 185 kg)

All rights relating to this publication are the exclusive property of Tecnosystemi SpA.

Tecnosystemi SpA reserves the right to make changes at any time and without notice, for technical or commercial needs.