

# TSCT

telescopic wall bracket for thermal insulation

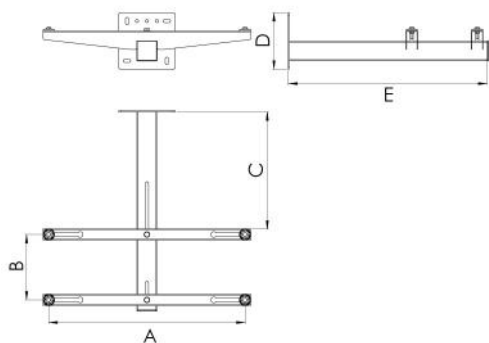


- cod. SCD500141



## TECHNICAL SPECIFICATIONS:

- Made of electro-galvanised sheet metal
- External polyester painting
- Vibration dampers supplied
- Fixing plugs not supplied
- Fixing template supplied
- Thermal recovery insulation, supplied
- Aesthetic finishing plates supplied
- Possibility of installing the SCD500080 tray support on the insulation bracket



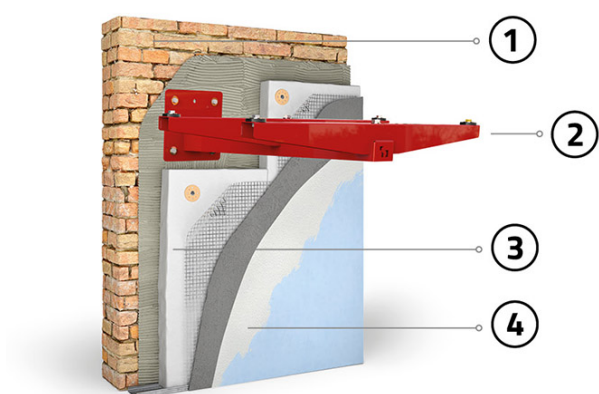
## DIMENSIONS

CODE	A [mm]	B [mm]	C [mm]	D [mm]	E [mm]	LOAD CAPACITY [kg]
SCD500141	490 + 690	230 + 410		200	700	90

## PACK COMPLETE WITH

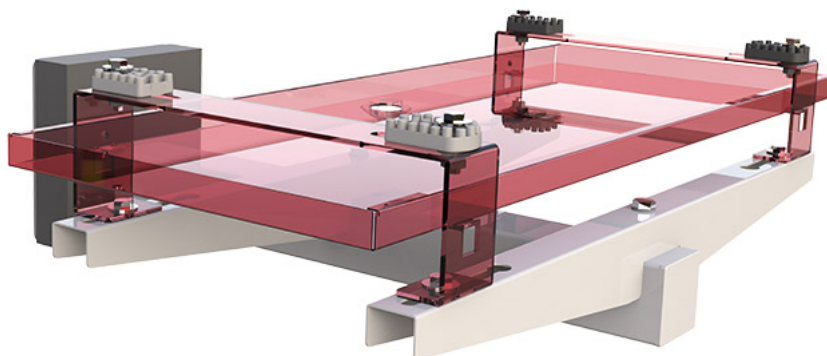
- sliding vibration dampers
- thermal recovery insulation pad 10 cm
- 1 instruction booklet
- cover for infill

## EXAMPLE OF INSTALLATION:



- [1] Masonry
- [2] Insulation wall bracket
- [3] Insulation
- [4] Plaster

## EXAMPLE OF INSTALLATION:



Basin support SCD500080 can be installed on the insulation bracket

## ITEMS

CODE	DESCRIPTION
SCD500141	TELESCOPIC BRACKET FOR THERMAL CLADDING "TSCT"

All rights relating to this publication are the exclusive property of Tecnosystemi SpA.

Tecnosystemi SpA reserves the right to make changes at any time and without notice, for technical or commercial needs.