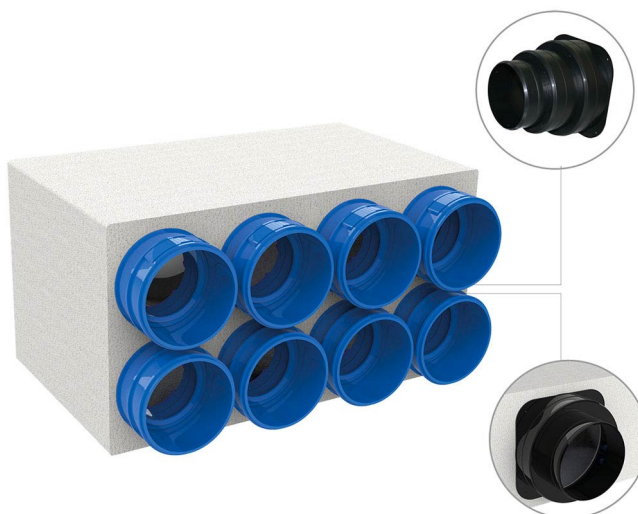


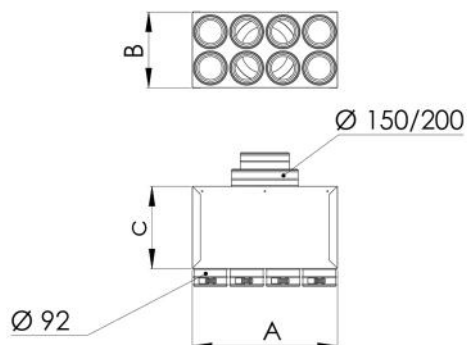
Insulated box in sheet metal for flexible ducted pipe 4 - 6 - 8 - 10 - 12 outputs \varnothing 92

- cod. ACD600006 - cod. ACD600009 - cod. ACD600012
- cod. ACD600015 - cod. ACD600018 - cod. ACD600061
- cod. ACD600062



TECHNICAL SPECIFICATIONS:

- Made of galvanized sheet metal
- External insulation in 3 mm thick polyethylene
- Air intake collar supplied
- Outgoing collars as shown in the table
- Complete with brackets for ceiling mounting



DIMENSIONS

CODE	A [mm]	B [mm]	C [mm]	INPUT Ø [mm]	No.of OUTLETS - Ø [mm]
ACD600006	220	230	250	150 / 200	4 - 92
ACD600009	330	230	250	150 / 200	6 - 92
ACD600012	440	230	250	150 / 200	8 - 92
ACD600015	550	230	250	150 / 200	10 - 92
ACD600018	660	230	250	150 / 200	12 - 92
ACD600061	220	230	250	100 / 125 / 150	4 - 92
ACD600062	330	220	250	100 / 125 / 150	6 - 92

ITEMS

CODE	DESCRIPTION
ACD600006	INSULATED SHEET METAL PLENUM FOR FLEXIBLE HOSE WITH 4 OUTLETS, Ø92
ACD600009	INSULATED SHEET METAL PLENUM FOR FLEXIBLE HOSE WITH 6 OUTLETS, Ø92
ACD600012	INSULATED SHEET METAL PLENUM FOR FLEXIBLE HOSE WITH 8 OUTLETS, Ø92
ACD600015	INSULATED SHEET METAL PLENUM FOR FLEXIBLE HOSE WITH 10 OUTLETS, Ø92
ACD600018	INSULATED SHEET METAL PLENUM FOR FLEXIBLE HOSE WITH 12 OUTLETS, Ø92
ACD600061	
ACD600062	

All rights relating to this publication are the exclusive property of Tecnosystemi SpA.

Tecnosystemi SpA reserves the right to make changes at any time and without notice, for technical or commercial needs.