

Insulated distribution plenum for CMV for flexible ducted hose 4-6-8-10-12 outputs \varnothing 75 with sleeves complete with calibration damper with adjustment

- cod. ACD600107 - cod. ACD600108 - cod. ACD600109
- cod. ACD600110 - cod. ACD600111 - cod. ACD600112
- cod. ACD600113



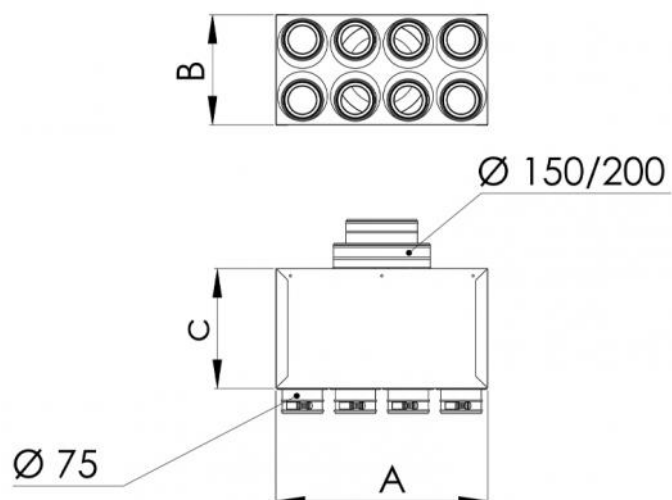
DESCRIPTION

Distribution plenum for VMC made of galvanised sheet metal and insulated externally with polyethylene (thk. 3 mm), designed for use with flexible ducted pipes.

The plenum has an inlet collar with double diameter \varnothing 150 / \varnothing 200 or triple diameter \varnothing 100 / \varnothing 125 / \varnothing 150 (see dimensions table).

Prerarranged with a pre-drilled inlet to be perforated as required.

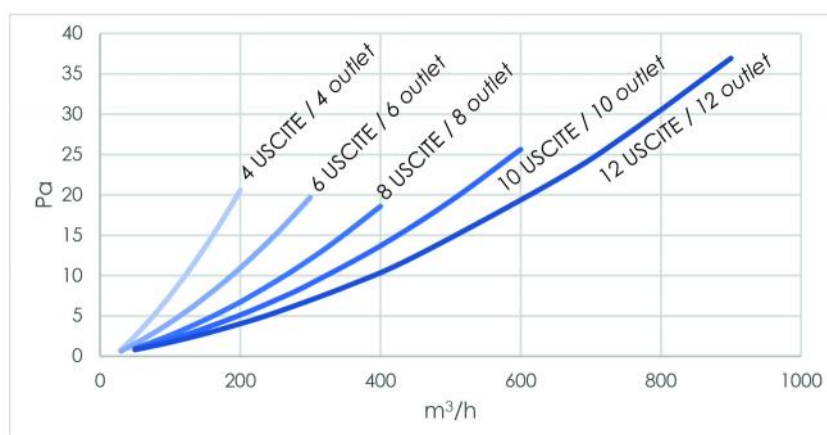
The pre-fitted collars \varnothing 75 (see dimensions table) are complete with calibration dampers that are adjusted using a screwdriver.



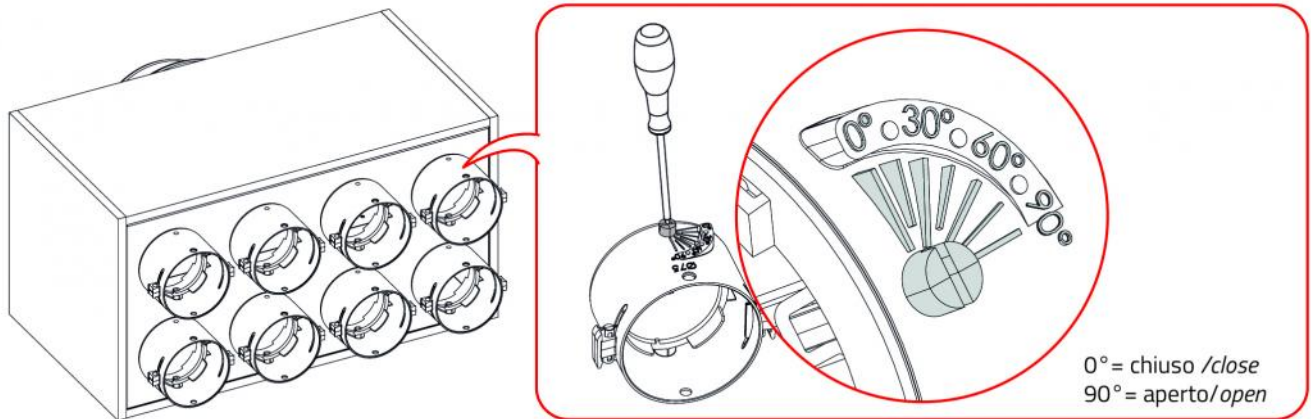
DIMENSIONS

| CODE | A [mm] | B [mm] | C [mm] | INPUT Ø [mm] | No.of OUTLETS - Ø [mm] |
|-----------|--------|--------|--------|-----------------|------------------------|
| ACD600107 | 230 | 240 | 250 | 150 / 200 | 4 - 75 |
| ACD600108 | 350 | 240 | 250 | 150 / 200 | 6 - 75 |
| ACD600109 | 465 | 240 | 250 | 150 / 200 | 8 - 75 |
| ACD600110 | 580 | 240 | 250 | 150 / 200 | 10 - 75 |
| ACD600111 | 700 | 240 | 250 | 150 / 200 | 12 - 75 |
| ACD600112 | 230 | 240 | 250 | 100 / 125 / 150 | 4 - 75 |
| ACD600113 | 350 | 240 | 250 | 100 / 125 / 150 | 6 - 75 |

LOAD LOSS DIAGRAM



DAMPER ADJUSTMENT



ITEMS

| | |
|-----------|--|
| ACD600107 | CMV INSULATED SHEET METAL PLENUM FOR FLEXIBLE CORRUGATED PIPE Ø75 4 OUTLETS Ø150/200 |
| ACD600108 | CMV INSULATED SHEET METAL PLENUM FOR FLEXIBLE CORRUGATED PIPE Ø75 6 OUTLETS Ø150/200 |
| ACD600109 | CMV INSULATED SHEET METAL PLENUM FOR FLEXIBLE CORRUGATED PIPE Ø75 8 OUTLETS Ø150/200 |
| ACD600110 | CMV INSULATED SHEET METAL PLENUM FOR FLEXIBLE CORRUGATED PIPE Ø75 10 OUTLETS Ø150/200 |
| ACD600111 | CMV INSULATED SHEET METAL PLENUM FOR FLEXIBLE CORRUGATED PIPE Ø75 12 OUTLETS Ø150/200 |
| ACD600112 | CMV INSULATED SHEET METAL PLENUM FOR FLEXIBLE CORRUGATED PIPE Ø75 4 OUTLETS Ø100/125/150 |
| ACD600113 | CMV INSULATED SHEET METAL PLENUM FOR FLEXIBLE CORRUGATED PIPE Ø75 6 OUTLETS Ø100/125/150 |

All rights relating to this publication are the exclusive property of Tecnosystemi SpA.

Tecnosystemi SpA reserves the right to make changes at any time and without notice, for technical or commercial needs.