

Insulated distribution plenum H160 for VMC for flexible ducted hose 6 - 8 outlets $\varnothing 75$ and $\varnothing 90$ with sleeves complete with calibration damper with adjustment

- cod. ACD600158 - cod. ACD600159 - cod. ACD600160
- cod. ACD600161



DESCRIPTION

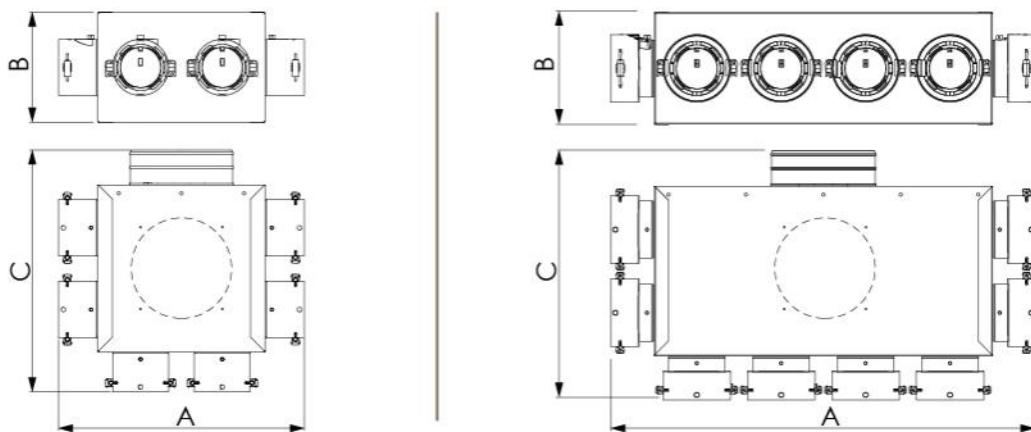
Distribution plenum for VMC made of galvanised sheet metal and insulated externally with polyethylene (thk. 3 mm), designed for use with flexible ducted pipes.

The reduced height allows installation in confined spaces (e.g. false ceilings).

The plenum is equipped with an inlet collar for $\varnothing 150$ mm pipes (not mounted) and 6 or 8 pre-mounted $\varnothing 75$ or $\varnothing 90$ outlet collars complete with damper.

It is equipped with two pre-drilled $\varnothing 150$ inlets to be perforated as required.

DIMENSIONS

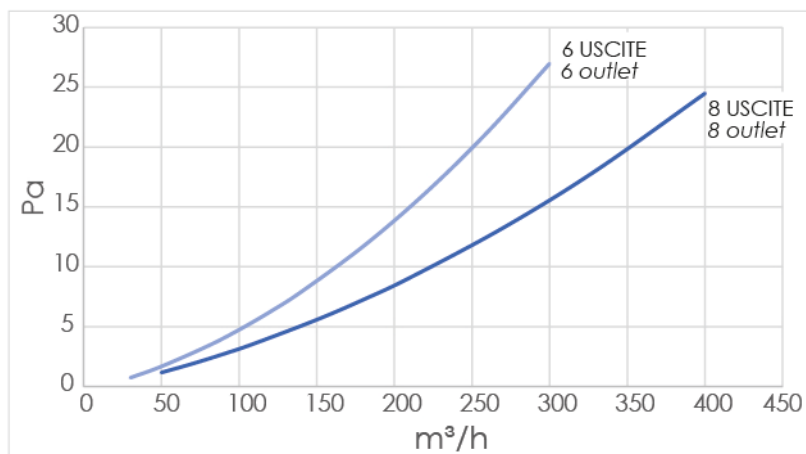


CODE	A	B	C	Weight
ACD600158	355	160	350	1.5
ACD600159	595	160	350	2.5
ACD600160	365	160	355	1.5
ACD600161	605	160	355	2.5

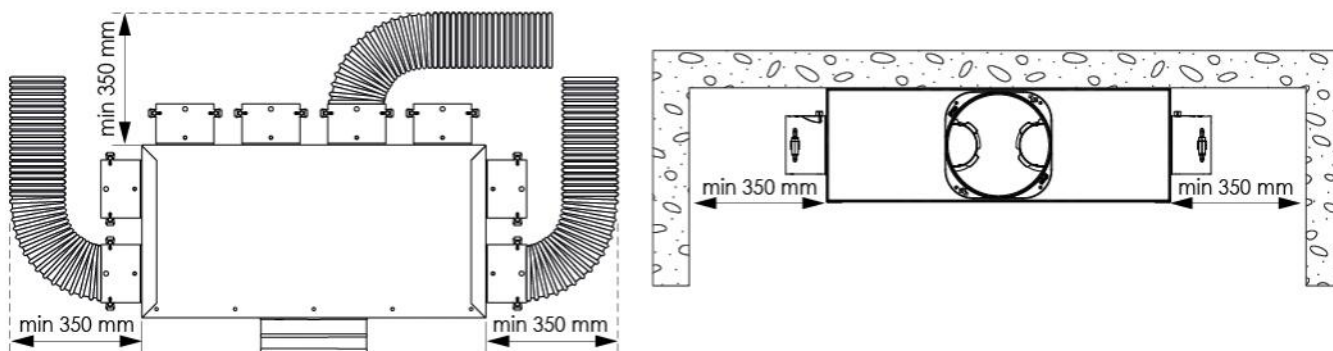
TECHNICAL SPECIFICATIONS

	ACD600158	ACD600159	ACD600160	ACD600161
Material	galvanised sheet metal			
Insulation material	polyethylene thk. 3mm			
IN connection	Ø 150			
OUT connection	7 - Ø75	9 - Ø75	7 - Ø90	9 - Ø90

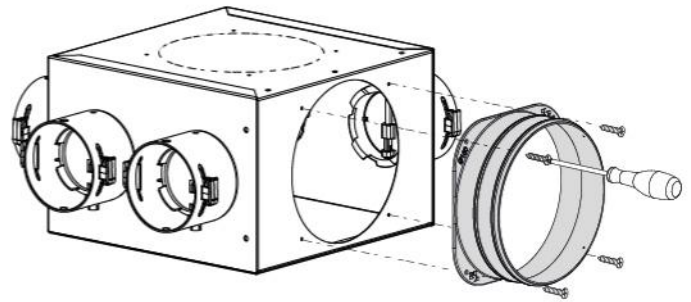
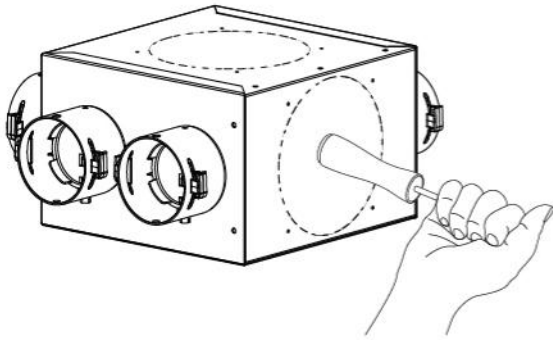
LOAD LOSS DIAGRAM



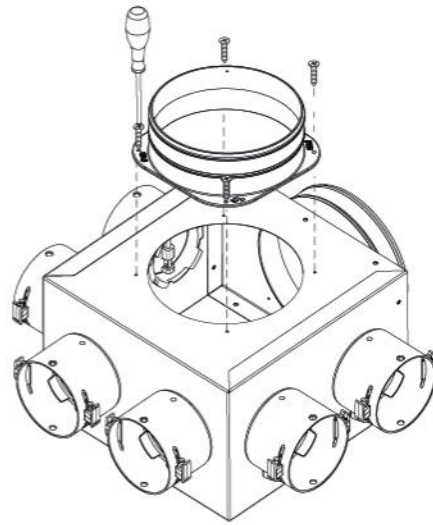
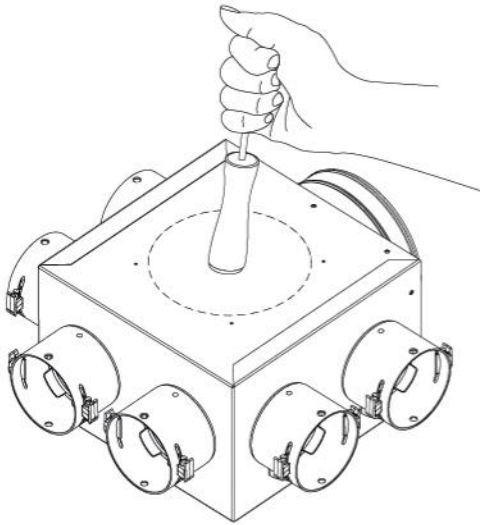
MINIMUM INSTALLATION DIMENSIONS



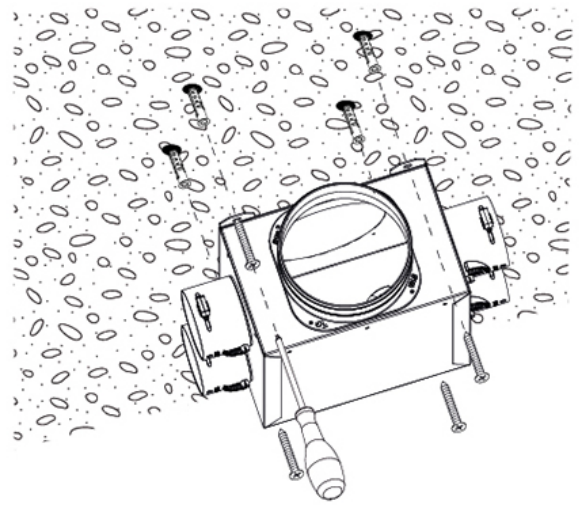
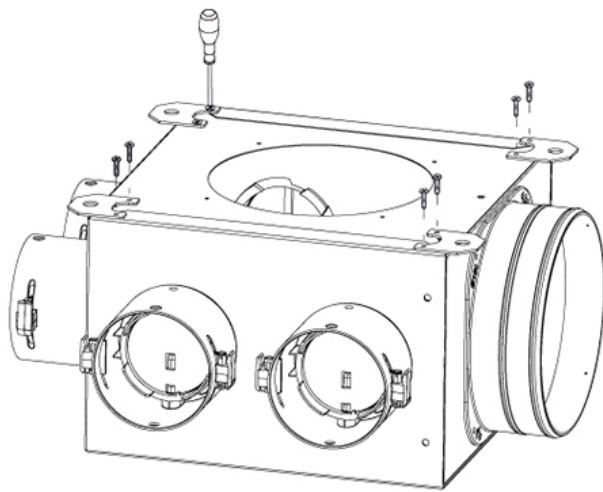
COLLAR ASSEMBLY



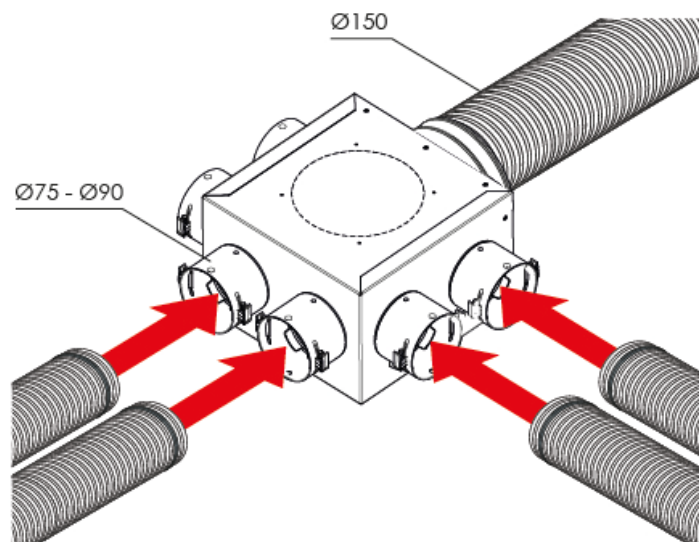
ALTERNATIVE APPLICATIONS



EXAMPLE OF ASSEMBLY



EXAMPLE OF PIPE CONNECTION



ITEMS

ACD600158	
ACD600159	
ACD600160	
ACD600161	

All rights relating to this publication are the exclusive property of Tecnosystemi SpA.

Tecnosystemi SpA reserves the right to make changes at any time and without notice, for technical or commercial needs.