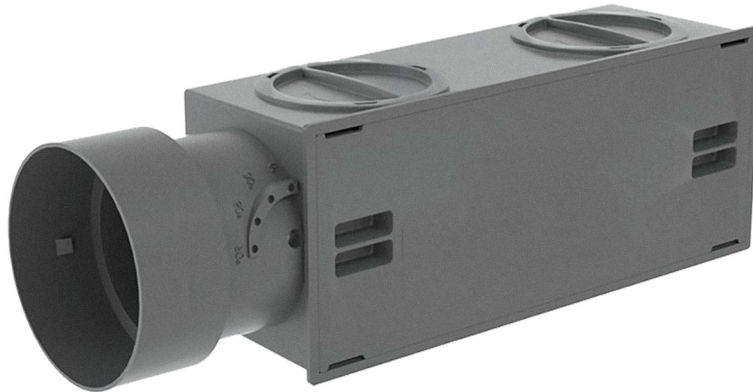


PLENUM KIT

in plastic with aesthetic grilles for MVHR

- cod. ACC600046 - cod. ACC600047 - cod. ACC600048
- cod. ACC600054 - cod. ACC600087



DESCRIPTION

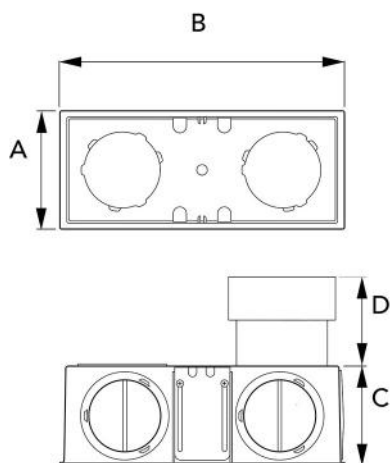
Plenum for MVHR made entirely from ABS plastic.
You can create the connection with the tube in the back, top, or side position.
Includes adjustment dampers and a wide range of accessories for quick and easy installation.
The aesthetic nozzle made from RAL 9003 white painted steel with a choice of "Juno" and "Libra" models complete the kit.

TECHNICAL SPECIFICATIONS:

- Plenum made of ABS plastic
- Includes adjustment damper
- MVHR grilles are made of steel painted RAL 9003
- Fastening by means of clips

THE KIT INCLUDES

- 1 plenum with clip attachment
- 1 protective cover
- 1 coupler kit Ø75/90
- 4 closure caps
- 4 fixing screws for bracket
- 2 adjustable fixing brackets



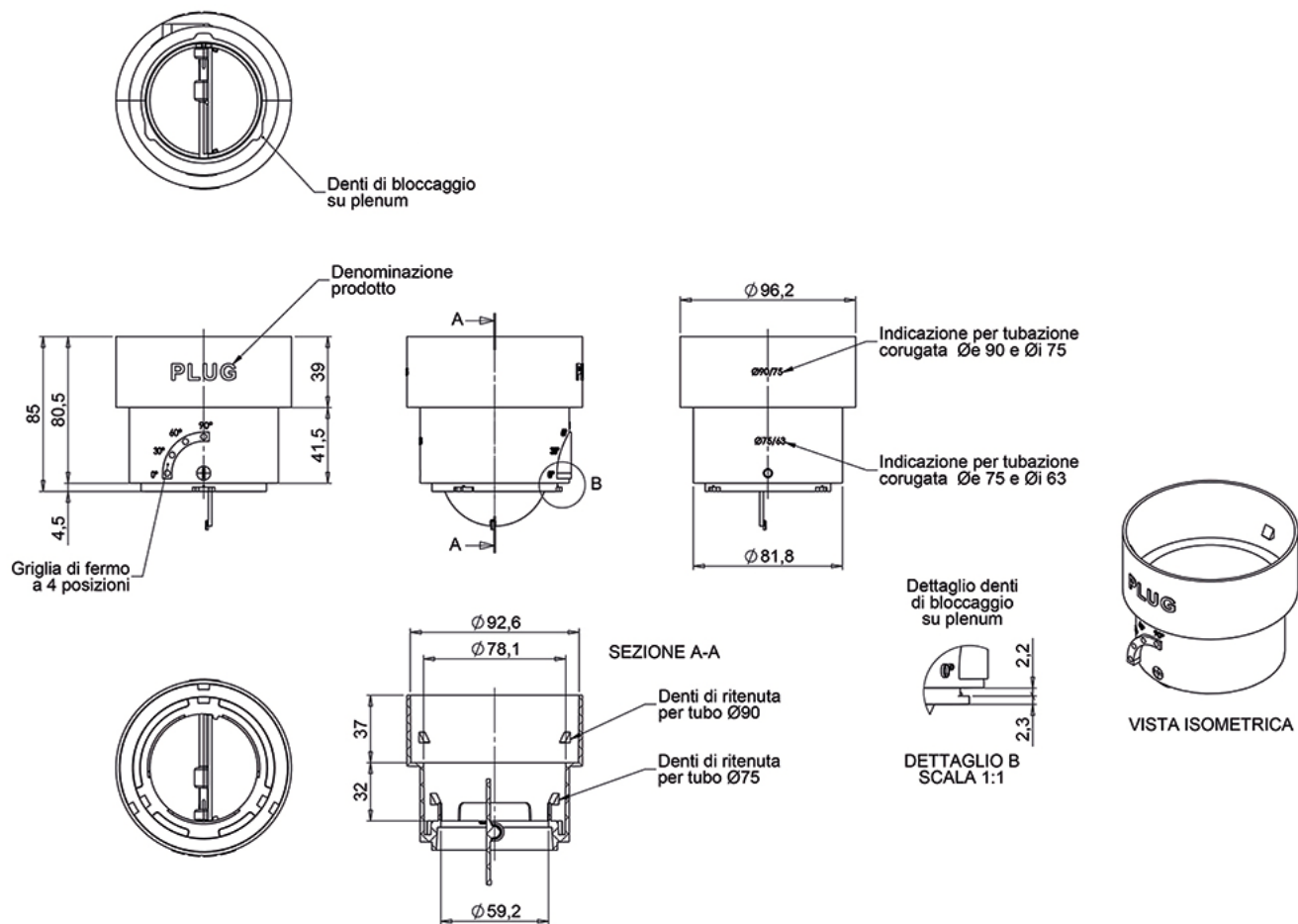
DIMENSIONS

CODE	A [mm]	B [mm]	C [mm]	D [mm]
ACC600046	106	256	90	80,5

TECHNICAL DATA FOR PLENUM KIT

CODE	External dimensions [mm]	Air flow rate [m ³ /h]
ACC600046	280 x 130	60
ACC600047	280 x 130	50

FITTING KIT 75/90 FOR JUNO AND LIBRA PLENUMS (5 PC)



ITEMS

CODE	DESCRIPTION
ACC600046	PLENUM KIT IN PLASTICI FOR VMC
ACC600047	AESTHETIC GRILLE MODEL JUNO 280x130
ACC600048	AESTHETIC GRILLE MODEL LIBRA 280x130
ACC600054	
ACC600087	CONNECTION KIT Ø75/90 FOR PLENUM DEDICATED TO GRILLE JUNO E LIBRA (5pc)

All rights relating to this publication are the exclusive property of Tecnosystemi SpA.

Tecnosystemi SpA reserves the right to make changes at any time and without notice, for technical or commercial needs.