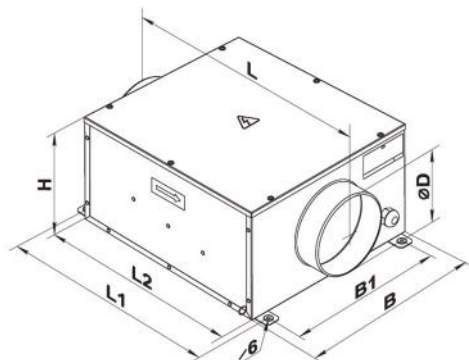


# Simple flow ventilation box for MVHR system

- cod. 30360010 - cod. 30360020 - cod. 30360030  
- cod. 30360040 - cod. 30360050 - cod. 30360060



## DIMENSIONS

CODE	Ø D [mm]	B [mm]	B1 [mm]	H [mm]	L [mm]	L1 [mm]	L2 [mm]	WEIGHT [kg]
30360010	124	322	280	192	447	380	350	5,4
30360020	149	352	310	212	477	410	380	6,4
30360030	199	432	368	287	588	506	480	10,0
30360040	199	432	368	287	588	506	480	12,0
30360050	249	432	368	287	588	506	480	12,5
30360060	314	502	438	397	588	506	480	12,5

## TECHNICAL DATA

MODEL	125	150	200	200 PLUS	250	315
Power supply [V]	230					
Frequency [Hz]	50					
Power [W]	73	72	103	195	198	322
Current [A]	0,32	0,32	0,45	0,85	0,87	1,40
Air flow rate [m³/h]	330	420	730	950	1300	2150
RPM	2590	2600	2550	2570	2420	2670
Sound level 3 m [dB(A)]	35	36	38	41	41	43
Max temperature [°C]	-25 +55					
Protection rating [IP]	IP X4					

## ITEMS

CODE	DESCRIPTION
30360010	SIMPLE-FLOW VENT CASING FOR V.M.C. SYSTEMS - MOD. 125
30360020	SIMPLE-FLOW VENT CASING FOR V.M.C. SYSTEMS - MOD. 150
30360030	SIMPLE-FLOW VENT CASING FOR V.M.C. SYSTEMS - MOD. 200
30360040	SIMPLE-FLOW VENT CASING FOR V.M.C. SYSTEMS - MOD. 200 PLUS
30360050	SIMPLE-FLOW VENT CASING FOR V.M.C. SYSTEMS - MOD. 250
30360060	SIMPLE-FLOW VENT CASING FOR V.M.C. SYSTEMS - MOD. 315

All rights relating to this publication are the exclusive property of Tecnosystemi SpA.

Tecnosystemi SpA reserves the right to make changes at any time and without notice, for technical or commercial needs.