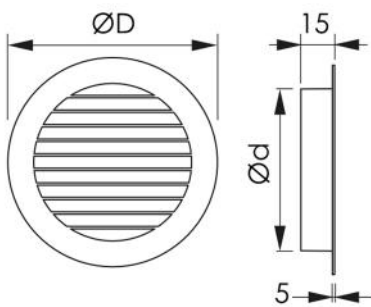


Flush-mounted circular grille in aluminium

- cod. PWC600001 - cod. PWC600002 - cod. PWC600003
- cod. PWC600004 - cod. PWC600005 - cod. PWC600006



DIMENSIONS

CODE	Ø d [mm]	Ø D [mm]
PWC600001	100	125
PWC600002	125	150
PWC600003	150	180
PWC600004	200	225
PWC600005	250	275
PWC600006	315	350

ITEMS

CODE	DESCRIPTION
PWC600001	INSET CIRCULAR ALUMINIUM GRILLE Ø 100
PWC600002	INSET CIRCULAR ALUMINIUM GRILLE Ø 125
PWC600003	INSET CIRCULAR ALUMINIUM GRILLE Ø 150
PWC600004	INSET CIRCULAR ALUMINIUM GRILLE Ø 200
PWC600005	INSET CIRCULAR ALUMINIUM GRILLE Ø 250
PWC600006	INSET CIRCULAR ALUMINIUM GRILLE Ø 315

All rights relating to this publication are the exclusive property of Tecnosystemi SpA.

Tecnosystemi SpA reserves the right to make changes at any time and without notice, for technical or commercial needs.