

Skirting duct for radiator tubes in PVC with external film

- cod. 24000302 - cod. 24000202 - cod. 24000102



DESCRIPTION

The lines of skirting board ducts for the coverage of pipes in the renovation or expansion of heating or air conditioning systems. The advantages of wall-mounted installation in case of overhauling of heating or air conditioning systems are evident: no intervention on the wall for the insertion of the pipes, therefore no debris and dust, no cost of plastering and painting of the walls, short installation times, therefore considerable cost savings and no inconvenience.

This new type of modernisation of the old systems in homes and premises involves cladding of the heating pipes located on the wall using aesthetic ducts of the highest quality.

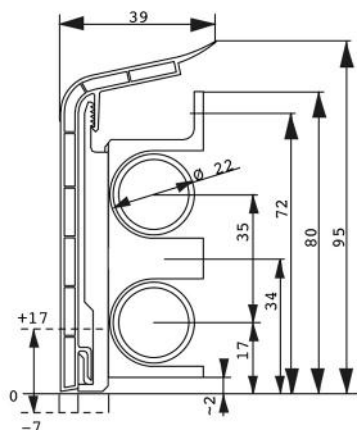
Refiline provides the complete system suitable for the cladding of pipes.

Thanks to the line of skirting boards, it is possible to connect radiators or fan coils in a very short time, giving the environment a high aesthetic result, adapting perfectly to all floors thanks to the wide choice of coatings in the catalogue, such as light oak, dark oak or white.

Use the "GFPTTR" or "GFDTR" clips to fasten the duct to the wall.

TECHNICAL SPECIFICATIONS:

- Profile made of PVC honeycomb



DIMENSIONS

CODE	LENGTH [m]
24000302	2
24000202	2
24000102	2

ITEMS

24000302	"REFLINE" BASEBOARD TRUNKING - DARK OAK 2 M.
24000202	"REFLINE" BASEBOARD TRUNKING - LIGHT OAK 2 M.
24000102	"REFLINE" BASEBOARD TRUNKING - WHITE OAK 2 M.

All rights relating to this publication are the exclusive property of Tecnosystemi SpA.

Tecnosystemi SpA reserves the right to make changes at any time and without notice, for technical or commercial needs.