

# EXCELLENS CAS

articulated corner curve



- cod. 11123111 - cod. 11123110 - cod. N11123111
- cod. N11123110 - cod. E11123111 - cod. E11123110
- cod. SCD100024 - cod. SCD100069 - cod. SCD100191



## TECHNICAL SPECIFICATIONS:

- Stiff, shockproof, anti-UVA and recyclable PVC
- Interlocking bottom and lid
- Duct profile locating ridge
- Large bending radius, adjustable from 90° to 135°
- Heat shrink barcode packaging
- Galvanised screws
- Paintable
- Operating temperature -20°C / +60°C

## MODELS AVAILABLE:



TOP LINE - IVORY  
RAL 9002



NEW LINE -  
WHITE RAL 9010



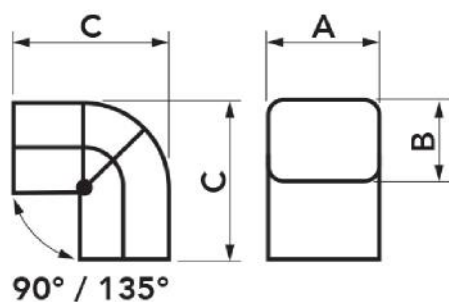
ECO LINE - PEARL  
GREY RAL 9003



BROWN LINE -  
BROWN RAL 8017



BLACK LINE -  
BLACK RAL 9005



## DIMENSIONS

CODE	MODEL	LINE	A [mm]	B [mm]	C [mm]
11123111	CAS 60 - EXC	TOP LINE	66	56	104
11123110	CAS 72 - EXC	TOP LINE	78	68	120
N11123111	CAS 60 - EXC	NEW LINE	66	56	104
N11123110	CAS 72 - EXC	NEW LINE	78	68	120
E11123111	CAS 60 - EXC	ECO LINE	66	56	104
E11123110	CAS 72 - EXC	ECO LINE	78	68	120
SCD100024	CAS 72 - EXC	BROWN LINE	78	68	120
SCD100069	CAS 72 - EXC	BLACK LINE	78	68	120
SCD100191	CAS 72 - EXC	GREY LINE	78	68	120

## ITEMS

CODE	DESCRIPTION
11123111	CAS 60-EXC - "EXCELLENS CAS" LINE JOINTED ELBOW
11123110	CAS 72-EXC - "EXCELLENS CAS" LINE JOINTED ELBOW
N11123111	CAS 60-EXC - "EXCELLENS CAS" LINE JOINTED ELBOW
N11123110	CAS 72-EXC - "EXCELLENS CAS" LINE JOINTED ELBOW
E11123111	CAS 60-EXC - "EXCELLENS CAS" LINE JOINTED ELBOW
E11123110	CAS 72-EXC - "EXCELLENS CAS" LINE JOINTED ELBOW
SCD100024	CAS 72-EXC - * JOINTED ELBOW " EXCELLENS CAS" MOD. CAS 72-EXC - BROWN LINE
SCD100069	CAS 72-EXC - * JOINTED ELBOW " EXCELLENS CAS" MOD. CAS 72-EXC - BLACK LINE
SCD100191	JOINTED ELBOW " EXCELLENS CAS" MOD. CAS 72-EXC - GREY LINE - CAS 72-EXC

All rights relating to this publication are the exclusive property of Tecnosystemi SpA.

Tecnosystemi SpA reserves the right to make changes at any time and without notice, for technical or commercial needs.