

HDPH3

insulating and ventilating spacer for profile "FVP-200"

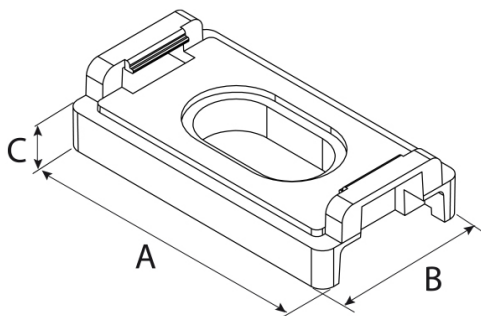
- cod. 11111035 - cod. 11111035BOX



TECHNICAL SPECIFICATIONS:

- Material: Anti-UVA PA
- Excellent insulation between profile and support against galvanic currents
- Ideal for lifting of the profile and allowing the drainage of rainwater
- Possibility to overlap the spacers to increase the space
- Double fastening with screws, self-tapping Ø5 or M8
- Recommended for raising the profile and removing the ventilation of the photovoltaic panels

TECHNICAL DRAWING:



FULL SIZED:

CODE	A [mm]	B [mm]	C [mm]
11111035	82	30	7
11111035BOX	82	30	7

ITEMS

CODE	DESCRIPTION
11111035	PLUG FOR PROFILE FVP-200
11111035BOX	PLUG FOR PROFILE FVP-200 - BOX 50 pz

All rights relating to this publication are the exclusive property of Tecnosystemi SpA.

Tecnosystemi SpA reserves the right to make changes at any time and without notice, for technical or commercial needs.