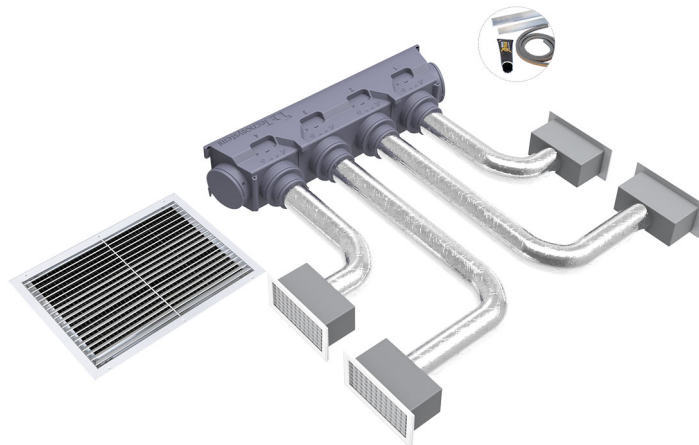


# SVELTO EOLO MINI UNIVERSAL KIT - 4 zones with EOLO MINI BM4 plenum

- cod. PWD300192



## DESCRIPTION

The "Eolo Universal Svelto (Quick) Kits" contain all the necessary accessories (polystyrene "Universal" plenum, calibration dampers, grilles, pipes, collars, cable ties, plenums and for nozzles, aluminium profiles for flanges), to channel the air produced by the indoor unit correctly and distribute it optimally to each individual room, with the possibility of adjusting and orienting the air flow thanks to the calibration dampers and the adjustable flaps of the nozzles.

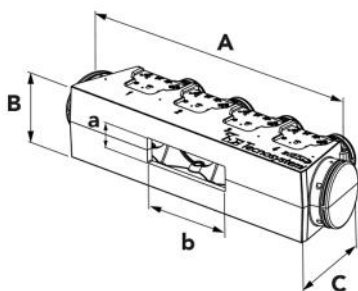
It thus allows you to have the maximum yield and the best comfort in homes or offices.

Thanks to the new universal sintered polystyrene plenum, the installer will only have to cut the plenum with an alternative saw or hot wire blade to the desired size, based on the delivery mouth of the ducted machine to be installed, cut the aluminium profiles to the flange size, glue them with the supplied glue and insert the gasket (accessories present in the kit).

The "Eolo Mini Universal Svelto Kits" are available for 3 to 4 zones with the possibility of customisation on request.

## KIT INCLUDES:

- 1 polystyrene plenum kit EOLO MINI BM4 UNIVERSAL (L 1008 x H 217 x D 346) (PWD400035)
- 4 white painted aluminium delivery nozzles, installation hole 300 x 150 outer size 332 x 182 (COD. WB11161512)
- 4 insulated plenums with 3 inlets for collars mod. E5 150 - 332 x 182 (PWD100005)
- 4 calibration dampers for 332 x 182 nozzles (COD. W11161568)
- 1 double-wall aluminium flexible hose Ø 152 - m 10 (cod. 11152152)
- 1 intake grille with filter in white painted aluminium - installation hole 600 x 400 outer size 632 x 432 (cod. WB11161525)
- 8 Hose clamps 140 - 160 mm (COD. 22200152)
- Customisable on request



## DIMENSIONS

CODE	PLENUM MODEL	FIXED EXTERNAL WIDTH A [mm]	FIXED EXTERNAL HEIGHT B [mm]	FIXED EXTERNAL DEPTH C [mm]	MAX INTERNAL PLENUM HEIGHT a [mm]	MAX INTERNAL PLENUM WIDTH b [mm]
PWD300192	EOLO MINI BM4 UNIVERSAL	1008	217	346	up to 185	up to 795

## ITEMS

CODE	DESCRIPTION
PWD300192	"KIT FOR THE AIR DISTRIBUTION WITH PLENUM "MINI EOLO BM4" - 4 ZONE"

All rights relating to this publication are the exclusive property of Tecnosystemi SpA.

Tecnosystemi SpA reserves the right to make changes at any time and without notice, for technical or commercial needs.