

# Linear diffuser with 1 slot shutter in anodised aluminium - white painted aluminium RAL 9016

- cod. PWC300007 - cod. PWC300008 - cod. PWC300009  
- cod. PWC300010 - cod. PWC300011 - cod. PWC300012  
- cod. PWC300013 - cod. PWC300014 - cod. PWC300015  
- cod. PWC300016



## DESCRIPTION

Slotted linear diffusers with adjustable baffles and built-in calibration damper.

Made of anodized aluminium or painted white RAL 9016.

Housings are obtained from inside the profiles to enable the mounting of multiple aluminium adjustable baffles.

They can be used in both supply and return and installed on either the ceiling or wall, with an installation height of 2.5 m to 3.1 m.

Fastening is ensured by the front screws and movable inner bracket (supplied).



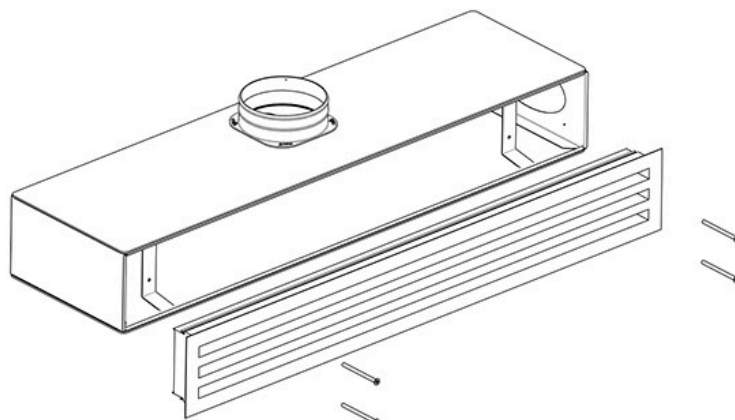
## DIMENSIONS

CODE	L [mm]	L1 [mm]	COLOUR
PWC300007	600	660	WHITE
PWC300008	600	660	ALUMINIUM
PWC300009	800	860	WHITE
PWC300010	800	860	ALUMINIUM
PWC300011	1000	1060	WHITE
PWC300012	1000	1060	ALUMINIUM
PWC300013	1500	1560	WHITE
PWC300014	1500	1560	ALUMINIUM
PWC300015	2000	2060	WHITE
PWC300016	2000	2060	ALUMINIUM

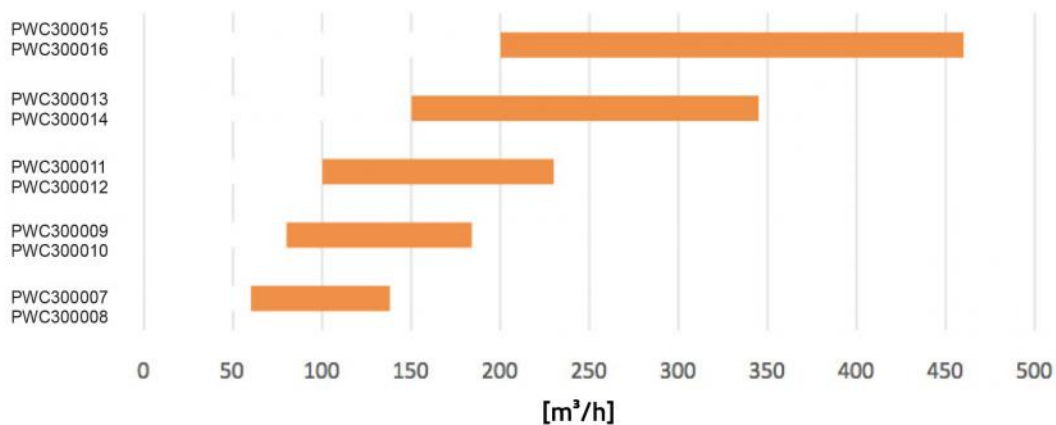
## TECHNICAL DATA

CODE	Ak [m²]	Q [m³/h] MIN	Q [m³/h] MAX	LwA [dB(A)] MIN	LwA [dB(A)] MAX	X(0.25) - Y(0.25) MIN [m]	X(0.25) - Y(0.25) MAX [m]	Dpt [Pa] MIN	Dpt [Pa] MAX
PWC300007	0,00479	60	138	32	46	3,1	6,9	10	50
PWC300008	0,00479	60	138	32	46	3,1	6,9	10	50
PWC300009	0,00719	80	184	32	46	3,1	6,9	10	50
PWC300010	0,00719	80	184	32	46	3,1	6,9	10	50
PWC300011	0,00959	100	230	32	46	3,1	6,9	10	50
PWC300012	0,00959	100	230	32	46	3,1	6,9	10	50
PWC300013	0,01559	150	345	32	46	3,1	6,9	10	50
PWC300014	0,01559	150	345	32	46	3,1	6,9	10	50
PWC300015	0,02159	200	460	32	46	3,1	6,9	10	50
PWC300016	0,02159	200	460	32	46	3,1	6,9	10	50

## EXAMPLE OF INSTALLATION:



## SHORTCUT DIAGRAM



## ITEMS

PWC300007	1 SLOT LINEAR DIFFUSER WITH DAMPER IN PAINTED ALUMINIUM L.600
PWC300008	1 SLOT LINEAR DIFFUSER WITH DAMPER IN ANODISED ALUMINIUM L.600
PWC300009	1 SLOT LINEAR DIFFUSER WITH DAMPER IN PAINTED ALUMINIUM L.800
PWC300010	1 SLOT LINEAR DIFFUSER WITH DAMPER IN ANODISED ALUMINIUM L.800
PWC300011	1 SLOT LINEAR DIFFUSER WITH DAMPER IN PAINTED ALUMINIUM L.1000
PWC300012	1 SLOT LINEAR DIFFUSER WITH DAMPER IN ANODISED ALUMINIUM L.1000
PWC300013	1 SLOT LINEAR DIFFUSER WITH DAMPER IN PAINTED ALUMINIUM L.1500
PWC300014	1 SLOT LINEAR DIFFUSER WITH DAMPER IN ANODISED ALUMINIUM L.1500
PWC300015	1 SLOT LINEAR DIFFUSER WITH DAMPER IN PAINTED ALUMINIUM L.2000
PWC300016	1 SLOT LINEAR DIFFUSER WITH DAMPER IN ANODISED ALUMINIUM L.2000

All rights relating to this publication are the exclusive property of Tecnosystemi SpA.

Tecnosystemi SpA reserves the right to make changes at any time and without notice, for technical or commercial needs.