

Linear diffuser with 3 slot shutter in anodised aluminium - white painted aluminium RAL 9016

- cod. PWC300027 - cod. PWC300028 - cod. PWC300029
- cod. PWC300030 - cod. PWC300031 - cod. PWC300032
- cod. PWC300033 - cod. PWC300034 - cod. PWC300035
- cod. PWC300036



DESCRIPTION

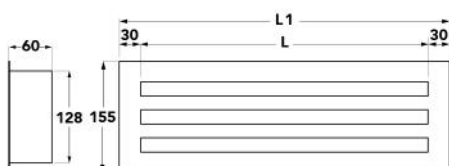
Slotted linear diffusers with adjustable baffles and built-in calibration damper.

Made of anodized aluminium or painted white RAL 9016.

Housings are obtained from inside the profiles to enable the mounting of aluminium adjustable baffles.

They can be used in both supply and return and installed on either the ceiling or wall, with an installation height of 2.5 m to 3.1 m.

Fastening is ensured by the front screws and movable inner bracket (supplied).



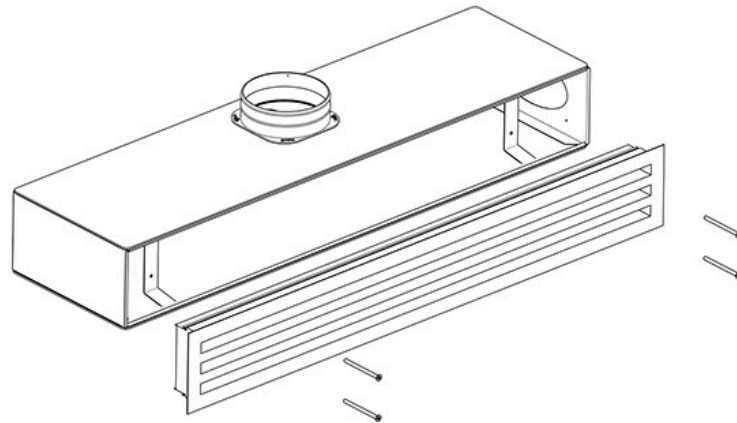
DIMENSIONS

CODE	L [mm]	L1 [mm]	COLOUR
PWC300027	600	660	WHITE
PWC300028	600	660	ALUMINIUM
PWC300029	800	860	WHITE
PWC300030	800	860	ALUMINIUM
PWC300031	1000	1060	WHITE
PWC300032	1000	1060	ALUMINIUM
PWC300033	1500	1560	WHITE
PWC300034	1500	1560	ALUMINIUM
PWC300035	2000	2060	WHITE
PWC300036	2000	2060	ALUMINIUM

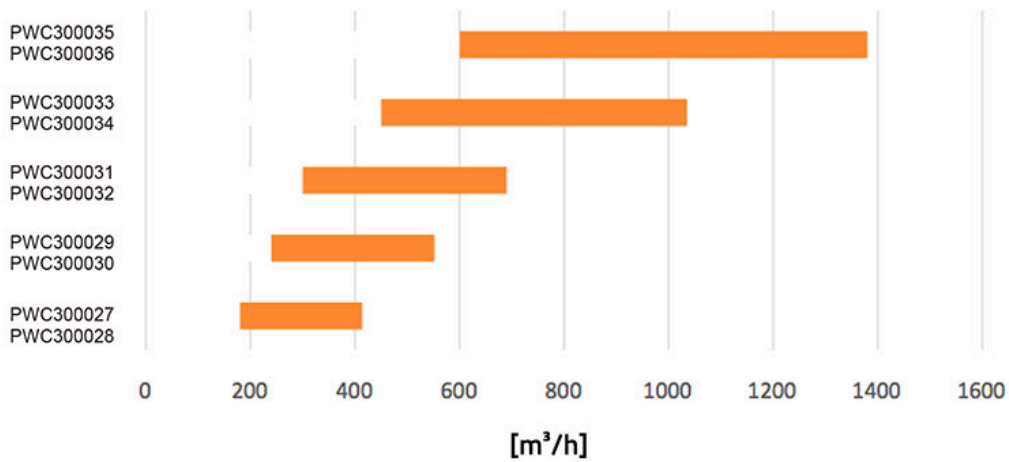
TECHNICAL DATA

CODE	Ak [m²]	Q [m³/h] MIN	Q [m³/h] MAX	LwA [dB(A)] MIN	LwA [dB(A)] MAX	X(0.25) - Y(0.25) MIN [m]	X(0.25) - Y(0.25) MAX [m]	Dpt [Pa] MIN	Dpt [Pa] MAX
PWC300027	0,01449	180	414	34	48	4,8	11	10	50
PWC300028	0,01449	180	414	34	48	4,8	11	10	50
PWC300029	0,02175	240	552	34	48	4,8	11	10	50
PWC300030	0,02175	240	552	34	48	4,8	11	10	50
PWC300031	0,02901	300	690	34	48	4,8	11	10	50
PWC300032	0,02901	300	690	34	48	4,8	11	10	50
PWC300033	0,04717	450	1035	34	48	4,8	11	10	50
PWC300034	0,04717	450	1035	34	48	4,8	11	10	50
PWC300035	0,06533	600	1380	34	48	4,8	11	10	50
PWC300036	0,06533	600	1380	34	48	4,8	11	10	50

EXAMPLE OF INSTALLATION:



SHORTCUT DIAGRAM



ITEMS

PWC300027	3-SLOT LINEAR DIFFUSER IN WHITE PAINTED ALUMINIUM 600mm
PWC300028	3-SLOT LINEAR DIFFUSER IN ANODISED ALUMINIUM 600mm
PWC300029	3-SLOT LINEAR DIFFUSER IN WHITE PAINTED ALUMINIUM 800mm
PWC300030	3-SLOT LINEAR DIFFUSER IN ANODISED ALUMINIUM 800mm
PWC300031	3-SLOT LINEAR DIFFUSER IN WHITE PAINTED ALUMINIUM 1000mm
PWC300032	3-SLOT LINEAR DIFFUSER IN ANODISED ALUMINIUM 1000mm
PWC300033	3-SLOT LINEAR DIFFUSER IN WHITE PAINTED ALUMINIUM 1500mm
PWC300034	3-SLOT LINEAR DIFFUSER IN ANODISED ALUMINIUM 1500mm
PWC300035	3-SLOT LINEAR DIFFUSER IN WHITE PAINTED ALUMINIUM 2000mm
PWC300036	3-SLOT LINEAR DIFFUSER IN ANODISED ALUMINIUM 2000mm

All rights relating to this publication are the exclusive property of Tecnosystemi SpA.

Tecnosystemi SpA reserves the right to make changes at any time and without notice, for technical or commercial needs.