

Linear diffuser with 4 slot shutter in anodised aluminium - white painted aluminium RAL 9016

- cod. PWC300037 - cod. PWC300038 - cod. PWC300039
- cod. PWC300040 - cod. PWC300041 - cod. PWC300042
- cod. PWC300043 - cod. PWC300044 - cod. PWC300045
- cod. PWC300046



DESCRIPTION

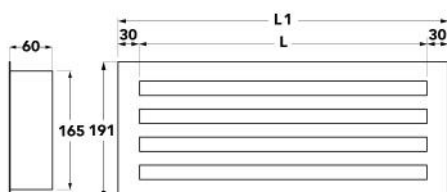
Slotted linear diffusers with adjustable baffles and built-in calibration damper.

Made of anodized aluminium or painted white RAL 9016.

Housings are obtained from inside the profiles to enable the mounting of aluminium adjustable baffles.

They can be used in both supply and return and installed on either the ceiling or wall, with an installation height of 2.5 m to 3.1 m.

Fastening is ensured by the front screws and movable inner bracket (supplied).



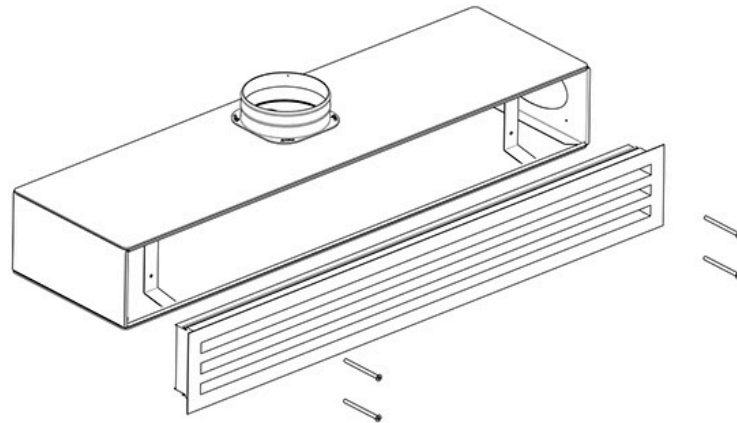
DIMENSIONS

CODE	L [mm]	L1 [mm]	COLOUR
PWC300037	600	660	WHITE
PWC300038	600	660	ALUMINIUM
PWC300039	800	860	WHITE
PWC300040	800	860	ALUMINIUM
PWC300041	1000	1060	WHITE
PWC300042	1000	1060	ALUMINIUM
PWC300043	1500	1560	WHITE
PWC300044	1500	1560	ALUMINIUM
PWC300045	2000	2060	WHITE
PWC300046	2000	2060	ALUMINIUM

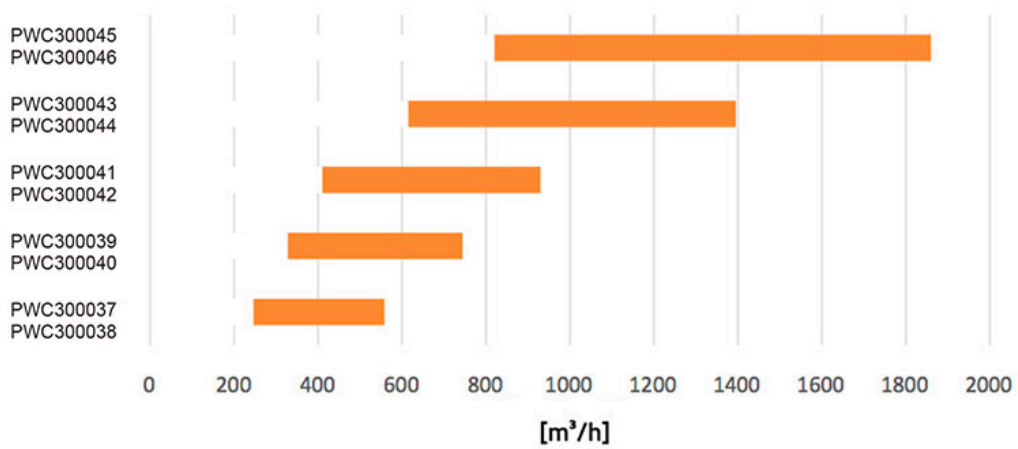
TECHNICAL DATA

CODE	Ak [m²]	Q [m³/h] MIN	Q [m³/h] MAX	LwA [dB(A)] MIN	LwA [dB(A)] MAX	X(0.25) - Y(0.25) MIN [m]	X(0.25) - Y(0.25) MAX [m]	Dpt [Pa] MIN	Dpt [Pa] MAX
PWC300037	0,01934	246	558	35	49	5,6	12,5	10	50
PWC300038	0,01934	246	558	35	49	5,6	12,5	10	50
PWC300039	0,02903	328	744	35	49	5,6	12,5	10	50
PWC300040	0,02903	328	744	35	49	5,6	12,5	10	50
PWC300041	0,03872	410	930	35	49	5,6	12,5	10	50
PWC300042	0,03872	410	930	35	49	5,6	12,5	10	50
PWC300043	0,06295	615	1395	35	49	5,6	12,5	10	50
PWC300044	0,06295	615	1395	35	49	5,6	12,5	10	50
PWC300045	0,08718	820	1860	35	49	5,6	12,5	10	50
PWC300046	0,08718	820	1860	35	49	5,6	12,5	10	50

EXAMPLE OF INSTALLATION:



SHORTCUT DIAGRAM



ITEMS

PWC300037	4-SLOT LINEAR DIFFUSER IN WHITE PAINTED ALUMINIUM 600mm
PWC300038	4-SLOT LINEAR DIFFUSER IN ANODISED ALUMINIUM 600mm
PWC300039	4-SLOT LINEAR DIFFUSER IN WHITE PAINTED ALUMINIUM 800mm
PWC300040	4-SLOT LINEAR DIFFUSER IN ANODISED ALUMINIUM 800mm
PWC300041	4-SLOT LINEAR DIFFUSER IN WHITE PAINTED ALUMINIUM 1000mm
PWC300042	4-SLOT LINEAR DIFFUSER IN ANODISED ALUMINIUM 1000mm
PWC300043	4-SLOT LINEAR DIFFUSER IN WHITE PAINTED ALUMINIUM 1500mm
PWC300044	4-SLOT LINEAR DIFFUSER IN ANODISED ALUMINIUM 1500mm
PWC300045	4-SLOT LINEAR DIFFUSER IN WHITE PAINTED ALUMINIUM 2000mm
PWC300046	4-SLOT LINEAR DIFFUSER IN ANODISED ALUMINIUM 2000mm

All rights relating to this publication are the exclusive property of Tecnosystemi SpA.

Tecnosystemi SpA reserves the right to make changes at any time and without notice, for technical or commercial needs.