

# OPTIMA TM

wall-mounted terminal

- cod. SCD100144 - cod. 11106001 - cod. 11106002
- cod. 11106003 - cod. SCD100112 - cod. SCD100152
- cod. SCD100153 - cod. SCD100154 - cod. SCD100200
- cod. SCD100201 - cod. SCD100202



## TECHNICAL SPECIFICATIONS:

- Shockproof, anti-UVA rigid PVC, white, grey or black, can be recycled
- Innovative design
- Ultra-fast interlocking fastening system
- Large outer flange
- Hole covers
- 3 pre-slots for drain pipe
- 3 pre-drilled holes for wall mounting
- Extremely high outer finish
- Heat shrink barcode packaging
- Paintable
- Operating temperature -20°C / + 60°C

## MODELS AVAILABLE:



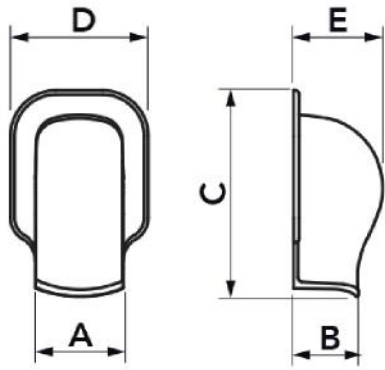
WHITE RAL 9010



GREY  
ANTRACITE RAL  
7016



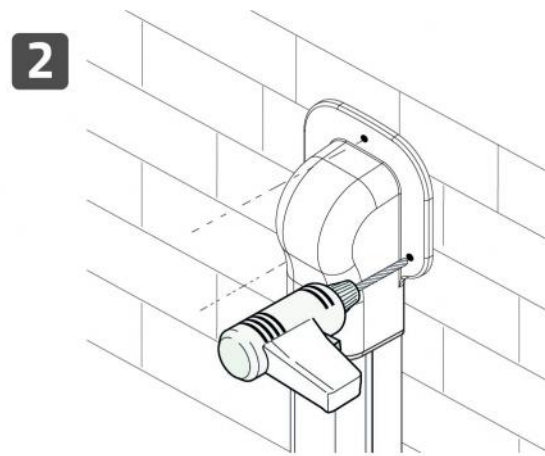
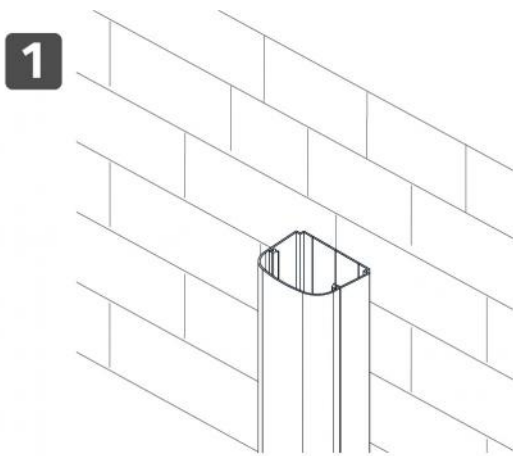
BLACK RAL 9005



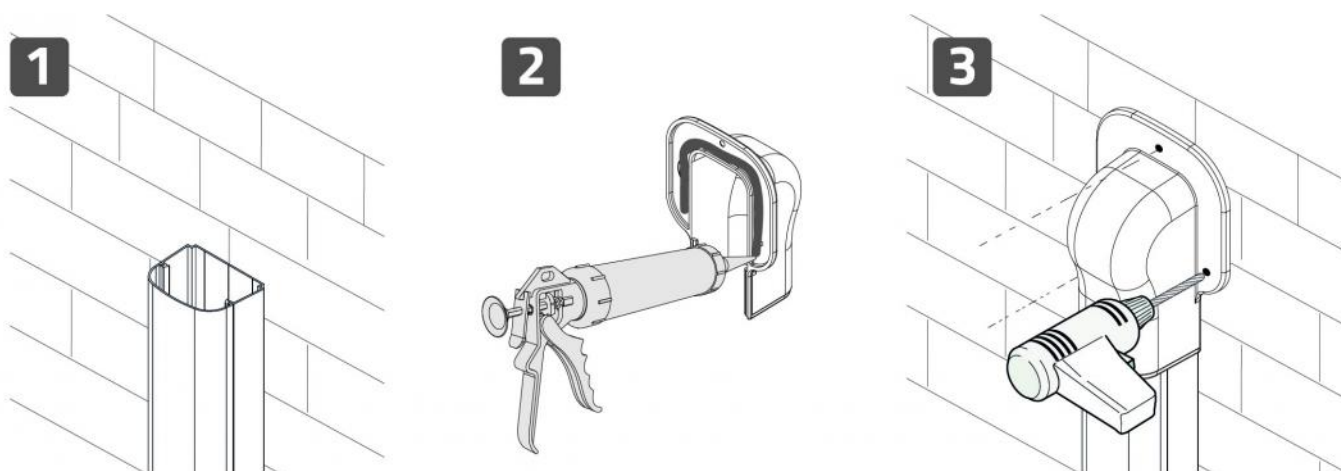
## DIMENSIONS

CODE	MODEL	A [mm]	B [mm]	C [mm]	D [mm]	E [mm]
SCD100144	TM 35 - OPT	35	28	77	56	32
11106001	TM 62 - OPT	66	48	155	95	60
11106002	TM 75 - OPT	78	58	170	110	74
11106003	TM 102 - OPT	104	68	200	135	85
SCD100112	TM 135 - OPT	140	85	237	175	100
SCD100152	TM 75 - OPT	78	58	170	110	74
SCD100153	TM 102 - OPT	104	68	200	135	85
SCD100154	TM 135 - OPT	140	85	237	175	100
SCD100200	TM 75 - OPT	78	58	170	110	74
SCD100201	TM 102 - OPT	104	68	200	135	85
SCD100202	TM 135 - OPT	140	85	237	175	100

## EXAMPLE OF FIXING WITH SCREWS



## EXAMPLE OF FIXING WITH SILICONE AND SCREWS



### ITEMS

SCD100144	TM35-OPT - "OPTIMA TM" LINE WALL COVER
11106001	TM62 -OPT - "OPTIMA TM" LINE WALL COVER
11106002	TM75- OPT - "OPTIMA TM" LINE WALL COVER
11106003	TM102 -OPT - "OPTIMA TM" LINE WALL COVER
SCD100112	TM135 -OPT - "OPTIMA TM" LINE WALL COVER
SCD100152	"OPTIMA TM" LINE WALL COVER - ANTHRACITE GREY Mod. TM75- OPT
SCD100153	"OPTIMA TM" LINE WALL COVER - ANTHRACITE GREY Mod. TM102 -OPT
SCD100154	"OPTIMA TM" LINE WALL COVER - ANTHRACITE GREY Mod. TM135 -OPT
SCD100200	"OPTIMA TM" LINE WALL COVER - BLACK - TM75- OPT
SCD100201	"OPTIMA TM" LINE WALL COVER - BLACK - TM102 -OPT
SCD100202	"OPTIMA TM" LINE WALL COVER - BLACK - TM135 -OPT

All rights relating to this publication are the exclusive property of Tecnosystemi SpA.

Tecnosystemi SpA reserves the right to make changes at any time and without notice, for technical or commercial needs.