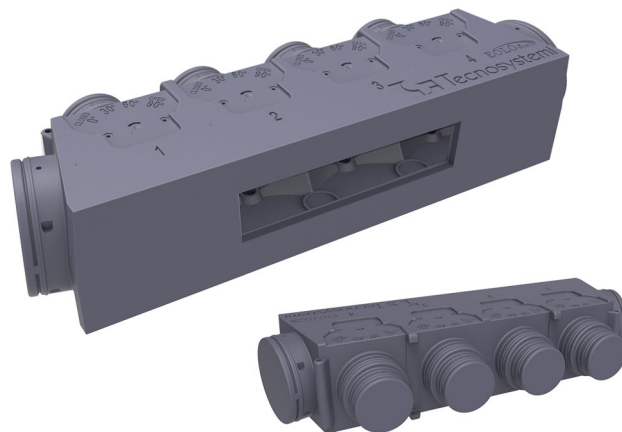


EOLO MINI UNIVERSAL

Polystyrene plenum kit



- cod. PWD400034 - cod. PWD400035



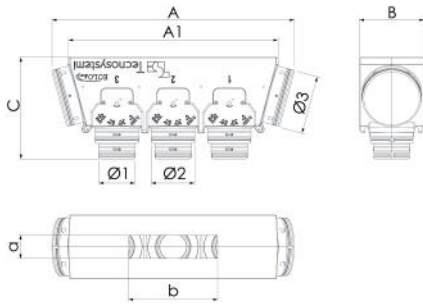
DESCRIPTION

The EOLO MINI plenum is made of expanded sintered polystyrene. Expanded polystyrene is heat-insulating, waterproof, and lightweight, making it easy to handle and move. Installation to the ducted indoor unit is easy with aluminium profiles which can be cut to the required size. The EOLO MINI UNIVERSAL PLENUM KIT consists of:

- "Eolo Mini" plenum;
- 2 aluminium bars;
- 1 tube of glue;
- sealing gasket
- assembly instructions

TECHNICAL SPECIFICATIONS

| TECHNICAL SPECIFICATIONS | REFERENCE STANDARD | VALUE |
|------------------------------------|---------------------|-------------------------------|
| Material | | Expanded sintered polystyrene |
| Thermal conductivity | EN 12667 / EN 12939 | 0,030 ± 0,033 W/mK |
| Thermal resistance 30mm thickness | | 0,95 m ² K/W |
| Resistance to the passage of steam | EN 12086 | 40 ± 70 μ |
| Operating temperature | | -30° C / +90° C |
| Water absorption | EN 12087 | ≤5% of the volume |
| Fire reaction class | EN 13501-1 | E |



DIMENSIONS

| CODE | MODEL | A [mm] | A1 [mm] | B [mm] | C [mm] | at [mm] MAX | b [mm] MAX | Ø1 [mm] | Ø2 [mm] | Ø3 [mm] |
|-----------|-------|--------|---------|--------|--------|----------------|---------------|----------|----------|----------|
| PWD400034 | AM3 | 818 | 700 | 217 | 346 | 185 | 600 | 3x Ø 125 | 3x Ø 150 | 2x Ø 200 |
| PWD400035 | BM4 | 1008 | 890 | 217 | 346 | 185 | 795 | 4x Ø 125 | 4x Ø 150 | 2x Ø 200 |

ITEMS

| | |
|-----------|--|
| PWD400034 | UNIVERSAL PLENUM KIT "EOLO MINI AM3 UNIVERSAL" |
| PWD400035 | UNIVERSAL PLENUM KIT "EOLO MINI BM4 UNIVERSAL" |

All rights relating to this publication are the exclusive property of Tecnosystemi SpA.

Tecnosystemi SpA reserves the right to make changes at any time and without notice, for technical or commercial needs.