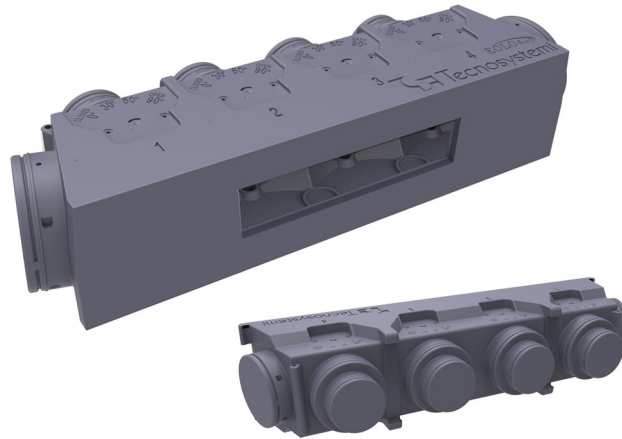


# ELO UNIVERSAL

Polystyrene plenum kit



- cod. PWD400030 - cod. PWD400031 - cod. PWD400032
- cod. PWD400033



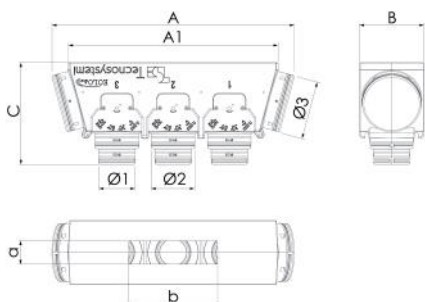
## DESCRIPTION

The EOLO plenum is made of expanded sintered polystyrene. Expanded polystyrene is heat-insulating, waterproof, and lightweight, making it easy to handle and move. Installation to the ducted indoor unit is easy with aluminium profiles which can be cut to the required size. The EOLO MINI UNIVERSAL PLENUM KIT consists of:

- "Eolo Mini" Plenum;
- "Eolo Mini" plenum;
- 2 aluminium bars;- 2 aluminium bars;
- 1 tube of glue;
- sealing gasket;
- assembly instructions.

## TECHNICAL SPECIFICATIONS

TECHNICAL SPECIFICATIONS	REFERENCE STANDARD	VALUE
Material		Expanded sintered polystyrene
Thermal conductivity	EN 12667 - EN 12939	0,030 ± 0,033 W/mK
Thermal resistance 30mm thickness		0,95 m²K/W
Resistance to the passage of steam	EN 12086	40 ± 70 µ
Operating temperature		-30° C / +90° C
Water absorption	EN 12087	≤5% of the volume
Fire reaction class	EN 13501-1	E



## DIMENSIONS

CODE	MODEL	A [mm]	A1 [mm]	B [mm]	C [mm]	at [mm] MAX	b [mm] MAX	Ø1 [mm]	Ø2 [mm]	Ø3 [mm]
PWD400030	E2	741	691	244	348	215	550	2x Ø 125	2x Ø 150	2x Ø 200
PWD400031	A3	1000	950	264	348	215	800	3x Ø 125	3x Ø 150	2x Ø 200
PWD400032	B4	1261	1211	284	348	235	1060	4x Ø 125	4x Ø 150	2x Ø 200
PWD400033	C5	1520	1470	304	348	245	1300	5x Ø 125	5x Ø 150	2x Ø 200

## ITEMS

PWD400030	UNIVERSAL PLENUM KIT "EOLO E2 UNIVERSAL"
PWD400031	UNIVERSAL PLENUM KIT "EOLO A3 UNIVERSAL"
PWD400032	UNIVERSAL PLENUM KIT "EOLO B4 UNIVERSAL"
PWD400033	UNIVERSAL PLENUM KIT "EOLO C5 UNIVERSAL"

All rights relating to this publication are the exclusive property of Tecnosystemi SpA.

Tecnosystemi SpA reserves the right to make changes at any time and without notice, for technical or commercial needs.