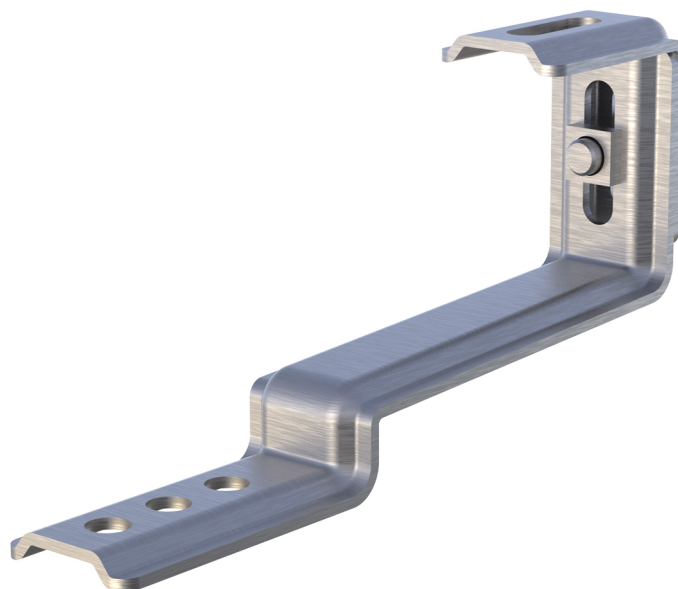


# HSRT

3 mm thick adjustable raised support for fixing on tiled roofs

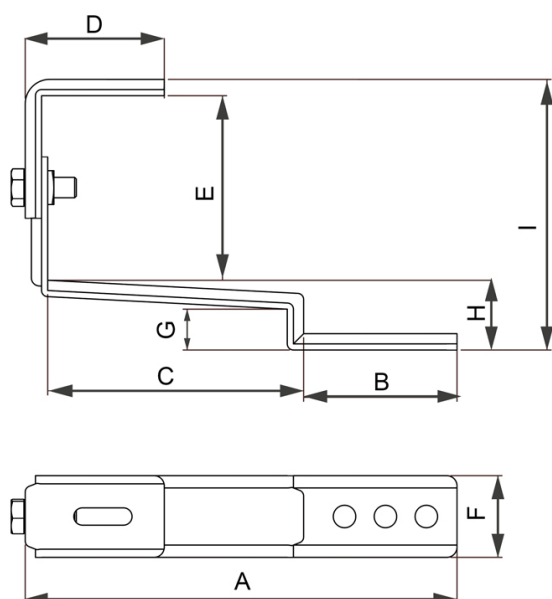
- cod. 11111105 - cod. 11111105BOX



## TECHNICAL SPECIFICATIONS:

- Material: AISI 304 stainless steel
- Flexural modulus of elasticity: 196000 N/mm<sup>2</sup>
- Tensile breaking load: 515 N/mm<sup>2</sup>
- 3 holes Ø 11 prepared for roof fixing
- Hook dimensions: 40mm x 3mm thickness

## TECHNICAL DRAWING:

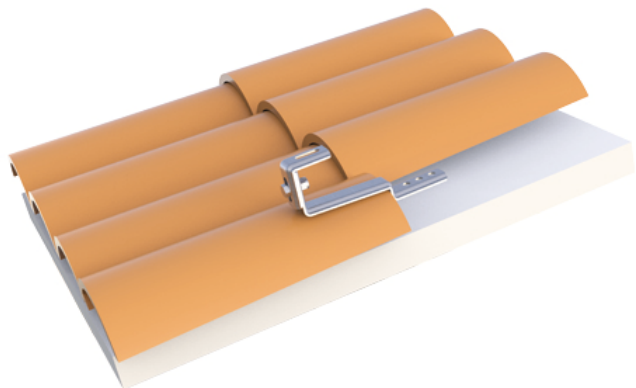


## FULL SIZED:

CODE	A [mm]	B [mm]	C [mm]	D [mm]	E [mm]	F [mm]	G [mm]	H [mm]	I [mm]
11111105	211	80	120	60	55-85	40	20	26	98-128
11111105BOX X	211	80	120	60	55-85	40	20	26	98-128

## APPLICATION:

Fixing of photovoltaic systems on roofing tiles supported by strips of varying thickness.



## ITEMS

CODE	DESCRIPTION
11111105	SUPPORT WHIT ONE REGULATION "HSRT"
11111105BOX	SUPPORT WHIT ONE REGULATION "HSRT" - BOX 10 pcs

All rights relating to this publication are the exclusive property of Tecnosystemi SpA.

Tecnosystemi SpA reserves the right to make changes at any time and without notice, for technical or commercial needs.