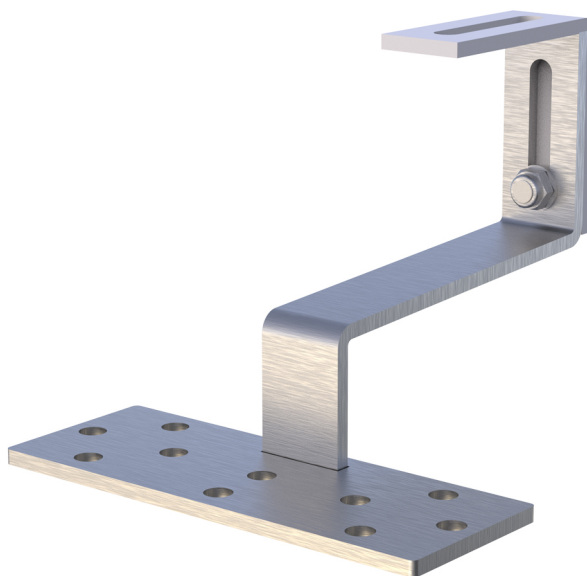


HSTL 160-140R

STL 160-140R supports for fixing to tiles on roofs

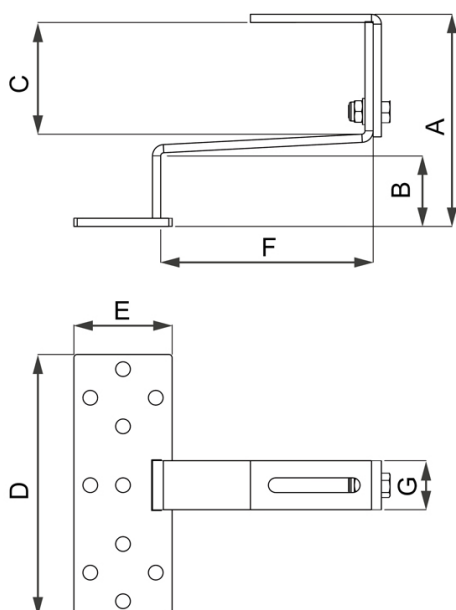
- cod. 11110714 - cod. 11110714BOX



TECHNICAL SPECIFICATIONS:

- Material: AISI 304 stainless steel
- Flexural modulus of elasticity: 196000 N/mm²
- Tensile breaking load: 515 N/mm²
- 10 holes Ø 9 prepared for plate fixing
- Hook dimensions: 30mm x 5mm thickness

TECHNICAL DRAWING:

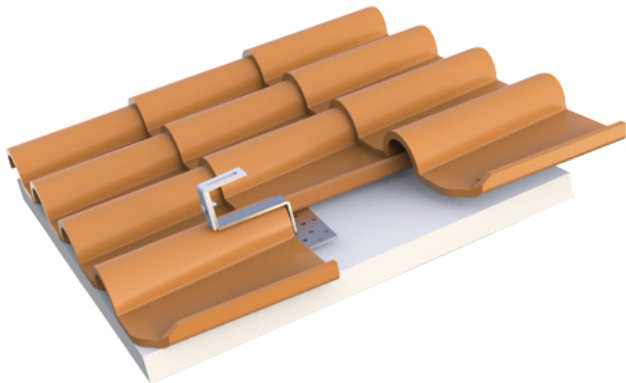


FULL SIZED:

CODE	A [mm]	B [mm]	C [mm]	D [mm]	E [mm]	F [mm]	G [mm]
11110714	175 ± 135	45	116 ± 75	160	60	130	30
11110714BOX	175 ± 135	45	116 ± 75	160	60	130	30

APPLICATION:

Fixing of photovoltaic systems on roofing tiles supported by strips of varying thickness.



ITEMS

CODE	DESCRIPTION
11110714	SUPPORT FOR FIXING ON ROOFS WITH TILES HSTL INOX AISI 304
11110714BOX	SUPPORT FOR FIXING ON ROOFS WITH TILES HSTL INOX AISI 304 - BOX 10 pcs

All rights relating to this publication are the exclusive property of Tecnosystemi SpA.

Tecnosystemi SpA reserves the right to make changes at any time and without notice, for technical or commercial needs.