

# ICE

mechanical thermostat for fan coil

- cod. 27600070



## DESCRIPTION

The ICE mechanical thermostat prevents energy waste by only activating the heating or air conditioning system when needed. It can be mounted to a wall or electrical box. In both cases the recommended height is 1.5 m from the floor, in dry location, away from draughts or heat sources.

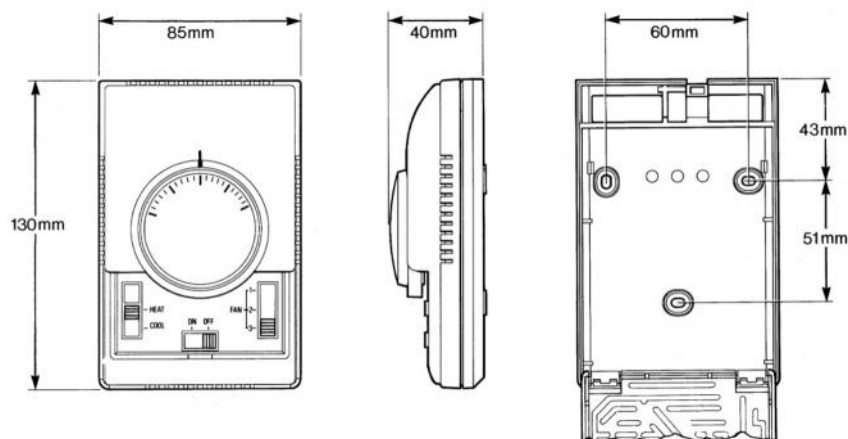
The ON/OFF position of the switch enables or excludes use of the thermostat.

The hot-cold selector allows the thermostat to be switched to another operating mode.

The "fan" selector adjusts the fan speeds among the 3 available.

The thermostat allows the management of the zone valve in opening and closing.

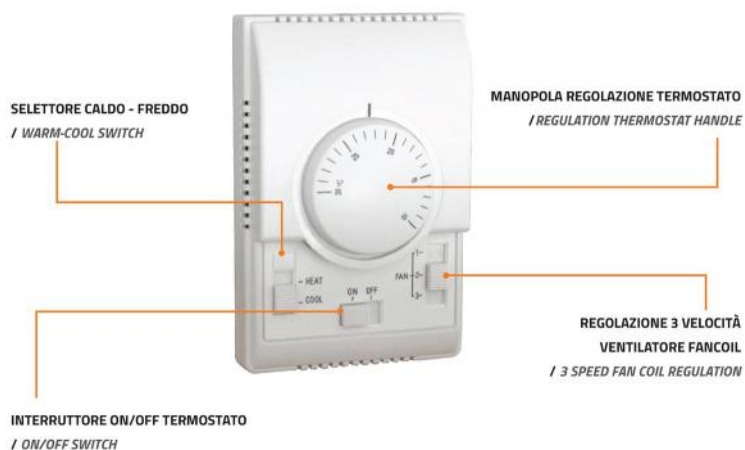
## DIMENSIONS



## TECHNICAL SPECIFICATIONS

	TECHNICAL DATA
Power supply	230V~±10% 50/60 Hz
Current load	<3 A
Operating temperature	-20°C +55°C
Relative humidity	<92%
Setting values	10°C - 30°C
Accuracy	±1°C
Contact type	SPDT

## REFERENCES



## ITEMS

27600070	MECCANIC THERMOSTAT FOR FAN COIL "ICE"
----------	--

All rights relating to this publication are the exclusive property of Tecnosystemi SpA.  
 Tecnosystemi SpA reserves the right to make changes at any time and without notice, for technical or commercial needs.