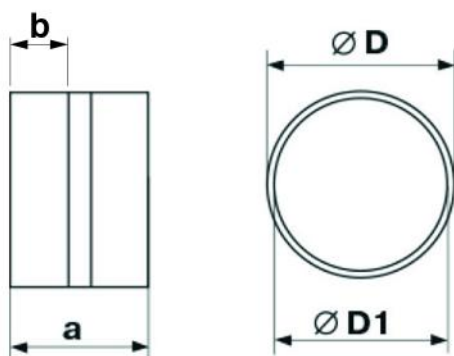


MDG

coupling sleeve

- cod. 11161372 - cod. 11161372B - cod. 11161372C
- cod. PWC500074



DIMENSIONS

CODE	A [mm]	B [mm]	Ø D [mm]	Ø D1 [mm]
11161372	62	30	100	96
11161372B	62	30	125	123
11161372C	62	30	150	148
PWC500074	62	30	200	197

DESCRIPTION

White plastic coupling sleeve (PVC).
It is designed to be installed directly in the air duct.

It is equipped with a male coupling with support stop.

ITEMS

11161372	COUPLER "MDG" 100
11161372B	COUPLER "MDG" 125
11161372C	COUPLER "MDG" 150
PWC500074	

All rights relating to this publication are the exclusive property of Tecnosystemi SpA.

Tecnosystemi SpA reserves the right to make changes at any time and without notice, for technical or commercial needs.