

INFINITY

INFINITY floor support with BLUE RIVER and EXTREME 100-8 bases

- cod. SCD500103 - cod. SCD500104 - cod. SCD500256
- cod. SCD500308 - cod. SCD500309 - cod. SCD500255
- cod. SCD500310 - cod. SCD500311 - cod. SCD500229

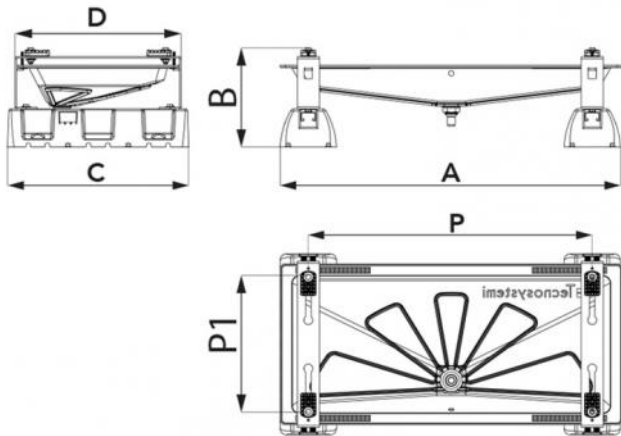


TECHNICAL SPECIFICATIONS:

- Electro-galvanised metal sheet feet
- Polyester exterior feet painted in ivory RAL 9002
- BLUE RIVER basin in ivory ABS PMMA plastic
- Coupling for condensate drain pipe Ø 16
- Includes "No- Shock" 2 Hard + 2 Soft vibration-damping kit
- SBR EXTREME vulcanised rubber floor bases with M8 fastening bolt

ELECTRICAL HEATING CABLE SPECIFICATIONS:

- Heating cable diameter 6 mm
- Power supply voltage 230 V
- Resistance tolerances -5% / +10%
- Activation of element at +3°C
- Built-in thermal sensor



DIMENSIONS

CODE	A [mm]	B [mm]	C [mm]	D [mm]	P [mm]	P1 [mm]
SCD500103	845	240	450	410	800 - 400	350 - 150
SCD500104	1050	240	450	410	1000 - 400	350 - 150
SCD500256	1250	240	600	520	1100 - 600	450 - 250
SCD500308	845	240	450	410	800 - 400	350 - 150
SCD500309	1050	240	450	410	1000 - 400	350 - 150
SCD500255	1250	240	600	520	1100 - 600	450 - 250
SCD500310	845	240	450	410	800 - 400	350 - 150
SCD500311	1050	240	450	410	1000 - 400	350 - 150
SCD500229	1250	240	600	520	1100 - 600	450 - 250

MODELS AVAILABLE:

WITH HEATING CABLE 3 m:

- Includes 15 W/m 3 m heating cable
- Coupling for condensate drain pipe Ø 16

WITH HEATING CABLE 3 + 3 m

- Includes 15 W/m 3 m + 3 m (6 m total) heating cable
- Coupling for condensate drain pipe Ø 20
- Equipped with a condensate drain pipe securing clamp
- With 3 m insulated condensate drain pipe

TECHNICAL DATA

CODE	LOAD CAPACITY [kg]
SCD500103	150
SCD500104	150
SCD500256	190
SCD500308	150
SCD500309	150
SCD500255	190
SCD500310	150
SCD500311	150
SCD500229	190

ITEMS

CODE	DESCRIPTION
SCD500103	FLOOR STAND "INFINITY" W/ SMALL DRAIN PAN "BLUE RIVER + "EXTREME-8-100"
SCD500104	FLOOR STAND "INFINITY" W/ LARGE DRAIN PAN "BLUE RIVER + "EXTREME-8-100"
SCD500256	FLOOR STAND "INFINITY" WITH "BLUE RIVER" DRAIN PAN 1250x500 WITH HEATING CABLE 3mt and SUPPORT "EXTREME - 600"
SCD500308	FLOOR STAND "INFINITY" W/ SMALL DRAIN PAN "BLUE RIVER + 3 MT CABLE + "EXTREME-8-100"
SCD500309	FLOOR STAND "INFINITY" W/ LARGE DRAIN PAN "BLUE RIVER + 3 MT CABLE + "EXTREME-8-100"
SCD500255	FLOOR STAND "INFINITY" WITH "BLUE RIVER" DRAIN PAN 1250x500 WITH HEATING CABLE 3mt - EXTREME RUBBER FEET 100-8
SCD500310	FLOOR STAND "INFINITY" W/ SMALL DRAIN PAN "BLUE RIVER + 6 MT CABLE + "EXTREME-8-100"
SCD500311	FLOOR STAND "INFINITY" W/ LARGE DRAIN PAN "BLUE RIVER + 6 MT CABLE + "EXTREME-8-100"
SCD500229	FLOOR STAND "INFINITY" WITH "BLUE RIVER" DRAIN PAN 1250X500 HEATING CABLE 3mt+3m (6mt) - EXTREME RUBBER FEET 100-8

All rights relating to this publication are the exclusive property of Tecnosystemi SpA.
 Tecnosystemi SpA reserves the right to make changes at any time and without notice, for technical or commercial needs.

