

SBP

Floor mount with vibration-dampers for SBP basin with anti-freeze heating cable

- cod. SCD500306 - cod. SCD500307 - cod. SCD500313
- cod. SCD500353 - cod. SCD500318

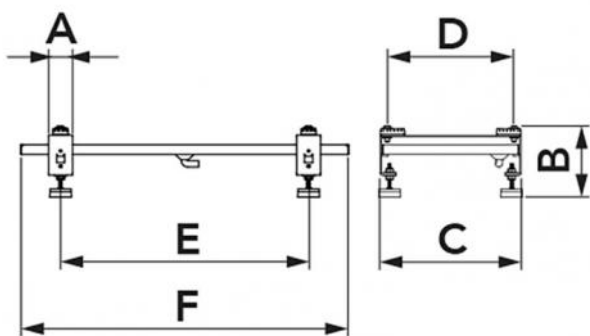


DESCRIPTION

Mount for external unit designed to improve ventilation with condensate drip tray and anti-freeze heating cable. The kit is complete with adjustable floor anti-vibration feet, "No-Shock" sliding anti-vibration feet and locking screws.

TECHNICAL DATA

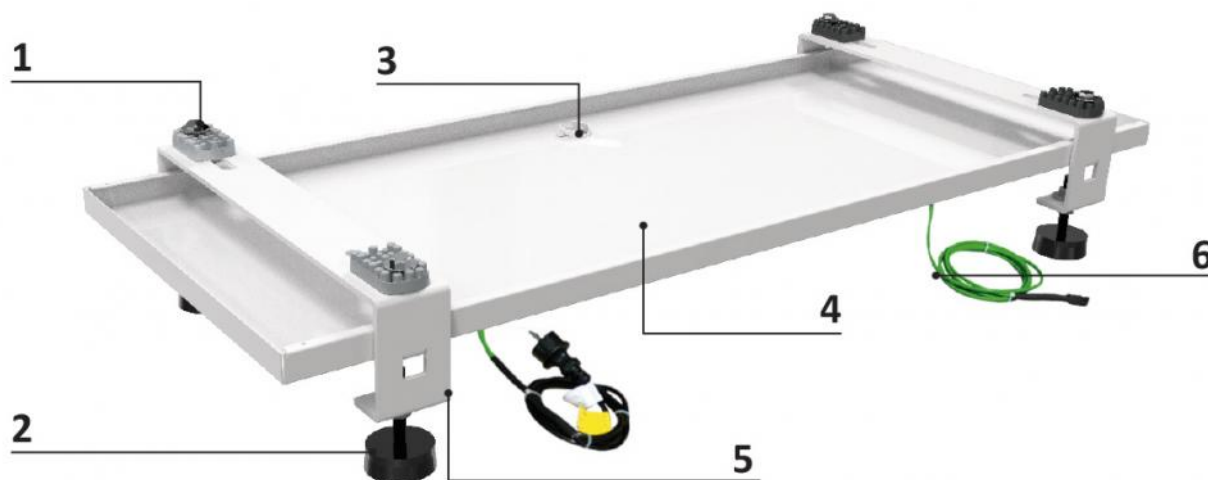
	TECHNICAL DATA
Material	Galvanised metal sheet
Treatment	External polyester coating
Colour	white RAL 9002
Heating cable voltage	230 Vac
Heating cable power	15 W/m
Heating cable length	6 m + 3 m (9 m total)
Cable type	3G1.5 H07RN-F
Operating temperature	-40°C / +130°C
Thermostat activation	3°C
Thermostat reset	12°C



DIMENSIONS

CODE	A [mm]	B [mm]	C [mm]	D [mm]	E [mm]	F [mm]	LOAD CAPACITY [kg]
SCD500306	60	130 ÷ 170	410	230 ÷ 360	400 ÷ 920	980	150
SCD500307	60	130 ÷ 170	570	400 ÷ 520	400 ÷ 1040	1100	150
SCD500313	60	130 ÷ 170	410	230 ÷ 360	400 ÷ 1190	1250	170
SCD500353	60	130 ÷ 170	570	400 ÷ 520	400 ÷ 1240	1300	170
SCD500318	60	130 ÷ 170	570	400 ÷ 520	400 ÷ 1340	1400	180

PACKAGING CONTENTS



REF.	DESCRIPTION	SCD500306	SCD500307	SCD500313	SCD500353	SCD500318
1	NO-SHOCK VIBRATION DAMPER			4		6
2	ADJUSTABLE FEET			4		6
3	PLASTIC HOSE HOLDER			1		
4	DRAIN PAN			1		
5	FLOOR MOUNT		2			3
6	HEATING CABLE			1		

ITEMS

CODE	DESCRIPTION
SCD500306	FLOOR MOUNT WITH LARGE TRAY SBP 980x410 WITH HEATING CABLE
SCD500307	FLOOR MOUNT WITH MAXI TRAY SBP 1100x570 WITH HEATING CABLE
SCD500313	FLOOR MOUNT WITH MAXI TRAY SBP 1250x390 WITH HEATING CABLE
SCD500353	FLOOR MOUNT WITH TRAY SBP 1300x570 WITH HEATING CABLE
SCD500318	FLOOR MOUNT WITH BIG TRAY SBP 1400x570 WITH HEATING CABLE

All rights relating to this publication are the exclusive property of Tecnosystemi SpA. Tecnosystemi SpA reserves the right to make changes at any time and without notice, for technical or commercial needs.