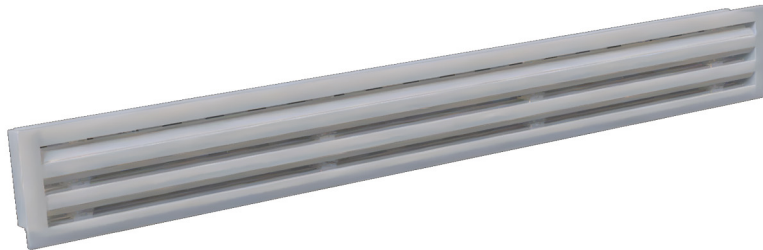


# Diffusore lineare in ALLUMINIO di ripresa - 3 feritoie

- cod. PWD301617 - cod. PWD301626 - cod. PWD301635  
- cod. PWD301644 - cod. PWD301653



## DESCRIPTION

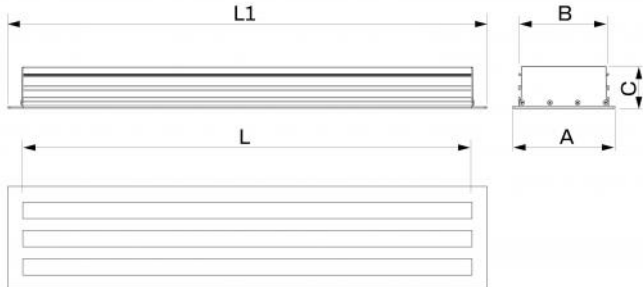
Visible linear intake diffuser in aluminium with 3 slots, white.  
Diffusers are used in places where the ceiling design has to be assured, such as offices, meeting rooms and hotels, ensuring uniform air diffusion and high thermal induction.  
It is fixed to the plenum, which can be purchased separately, using front screws and mobile C brackets.

## APPLICATIONS

Diffuser ideal for wall or ceiling installations in intake ONLY.

## ACCESSORIES

- Plenum in insulated galvanised metal sheet, can be purchased separately.
- Continuity kit, can be purchased separately.



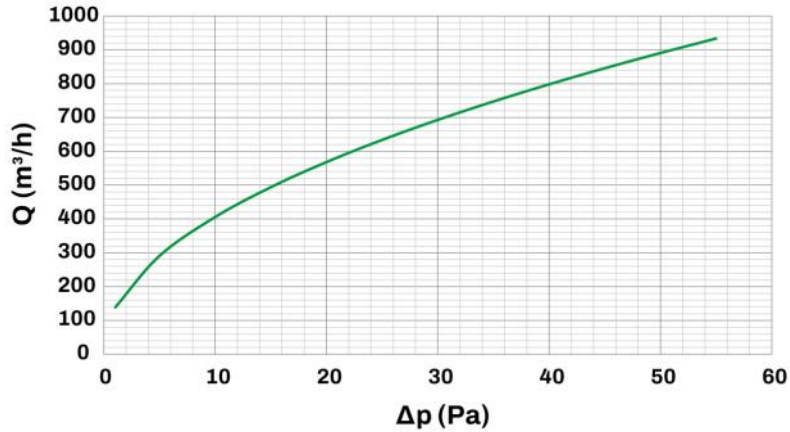
## DIMENSIONS

CODE	L [mm]	L1 [mm]	A [mm]	B [mm]	C [mm]
PWD301617	600	645	144	127	60
PWD301626	800	845	144	127	60
PWD301635	1000	1045	144	127	60
PWD301644	1500	1545	144	127	60
PWD301653	2000	2045	144	127	60

## INFORMATION

Measures are indicated in millimetres (mm), unless otherwise specified.

## LOAD CAPACITY AND PRESSURE DROP CURVES 3 SLOTS

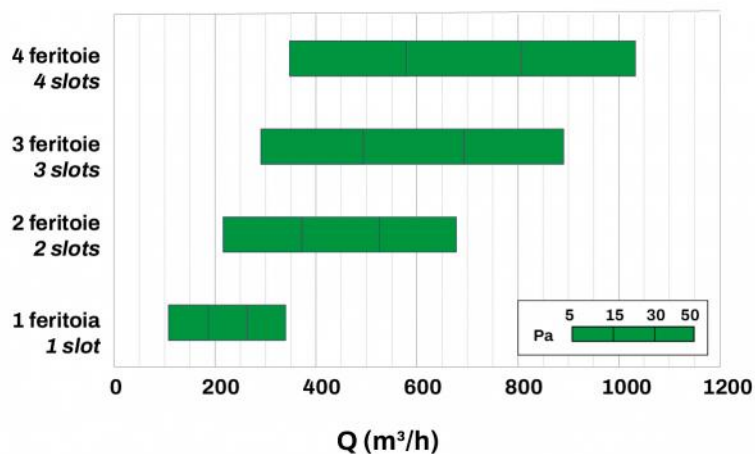


Ak [m²]	Qv min [m³/h]	Qv max [m³/h]	Lwa min [dB(A)]	Lwa max [dB(A)]	DP min [Pa]	DP max [Pa]
0.063	405	890	34	48	10	50

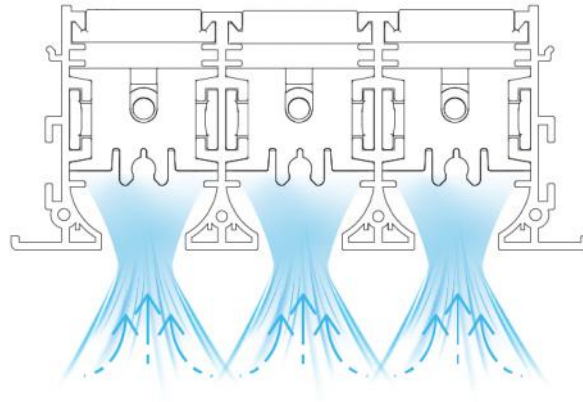
### INFORMATION

The table data refer to 1000 mm long visible linear diffusers

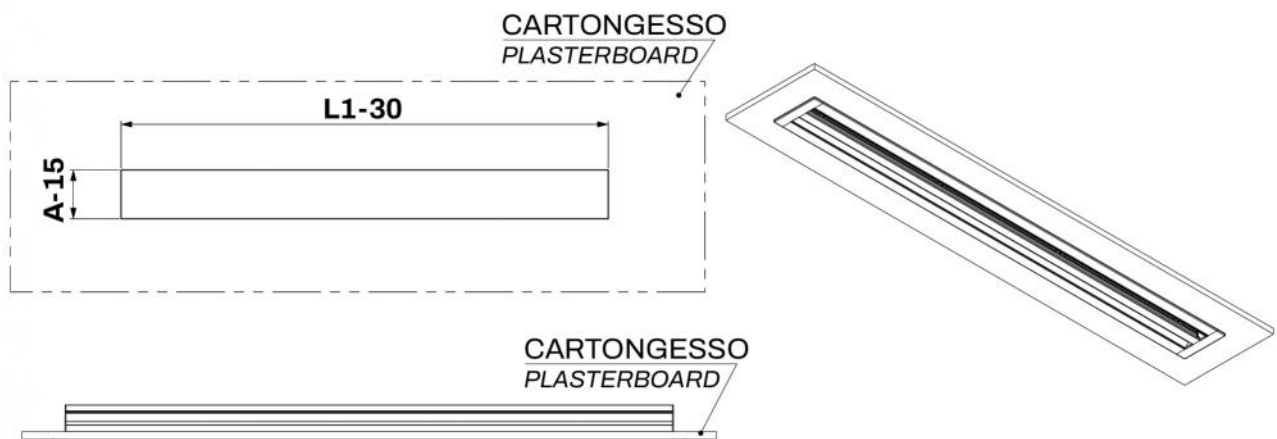
### SHORTCUT DIAGRAM



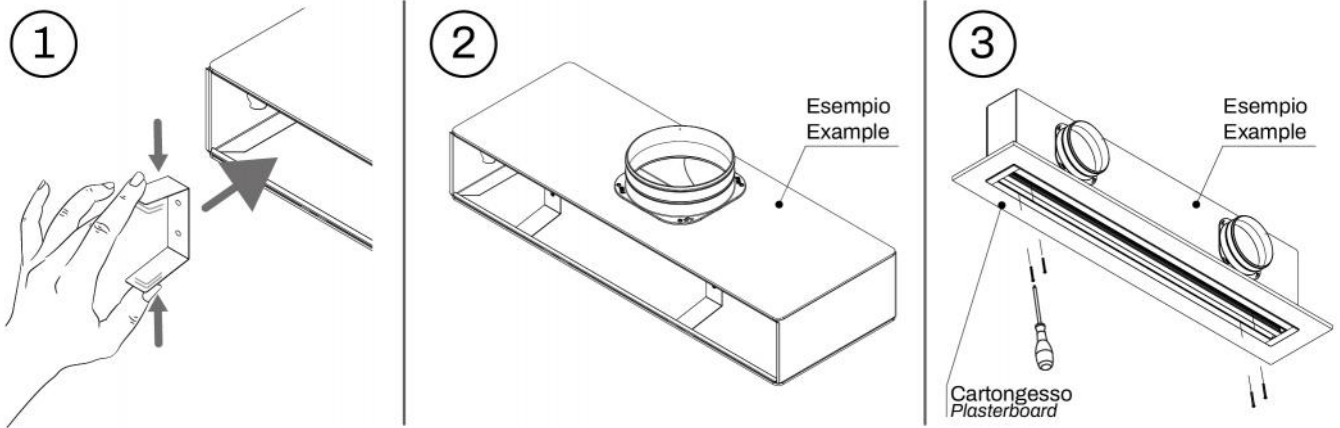
## ESEMPIO DI FUNZIONAMENTO



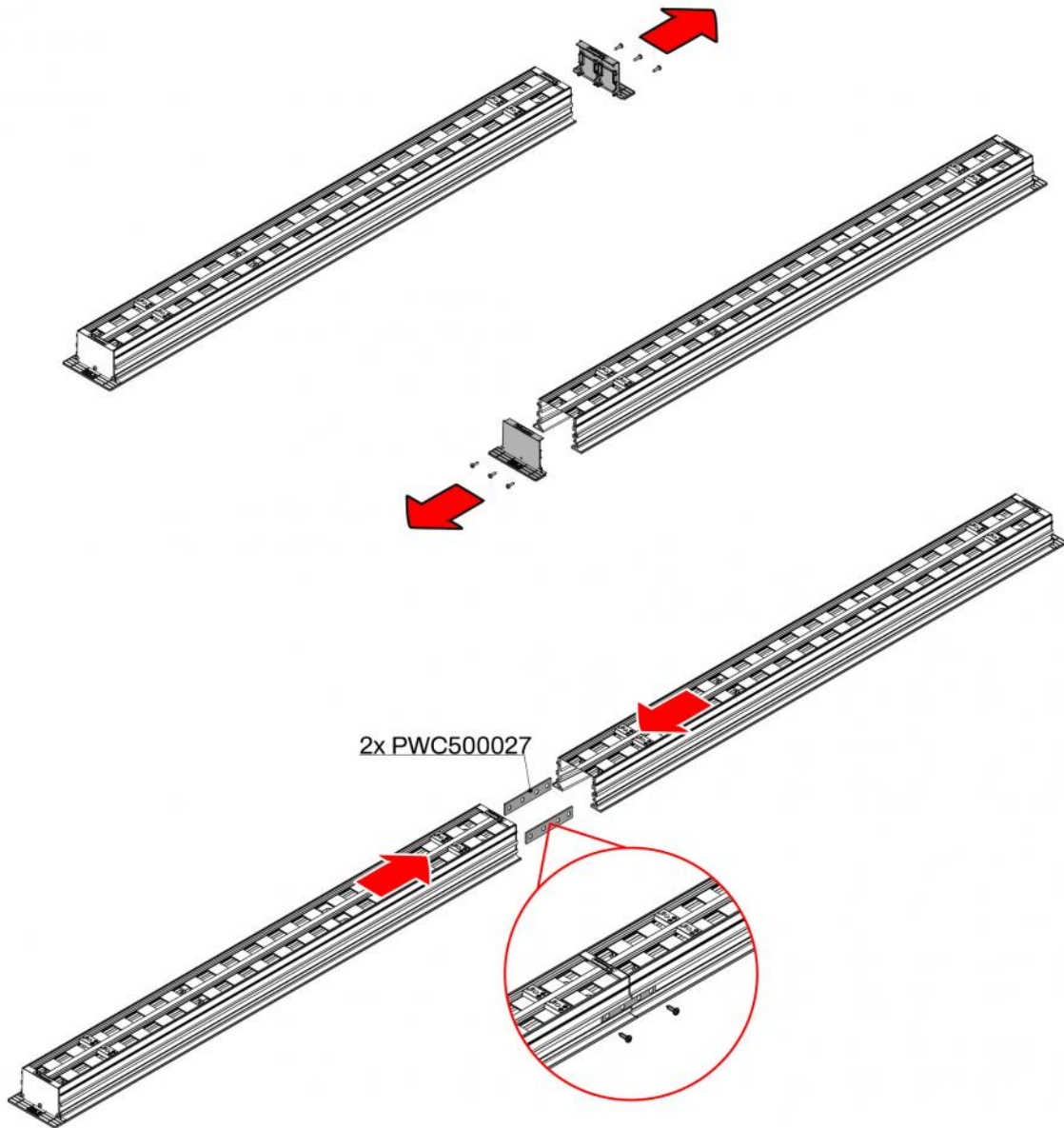
## BUILT-IN INSTALLATION BOX FOR WALLS



**EXAMPLE OF INSTALLATION:**



## EXAMPLE OF CONTINUITY KIT FIXING



**ITEMS**

CODE	DESCRIPTION
PWD301617	LINEAR RETURN DIFFUSER IN IN ALUMINIUM3 SLOTS L600mm WHITE
PWD301626	LINEAR RETURN DIFFUSER IN IN ALUMINIUM3 SLOTS L800mm WHITE
PWD301635	LINEAR RETURN DIFFUSER IN IN ALUMINIUM3 SLOTS L1000mm WHITE
PWD301644	LINEAR RETURN DIFFUSER IN IN ALUMINIUM3 SLOTS L1500mm WHITE
PWD301653	LINEAR RETURN DIFFUSER IN ALUMINIUM3 SLOTS L2000mm WHITE

All rights relating to this publication are the exclusive property of Tecnosystemi SpA.  
 Tecnosystemi SpA reserves the right to make changes at any time and without notice, for technical or commercial needs.